

117-013, 5W257

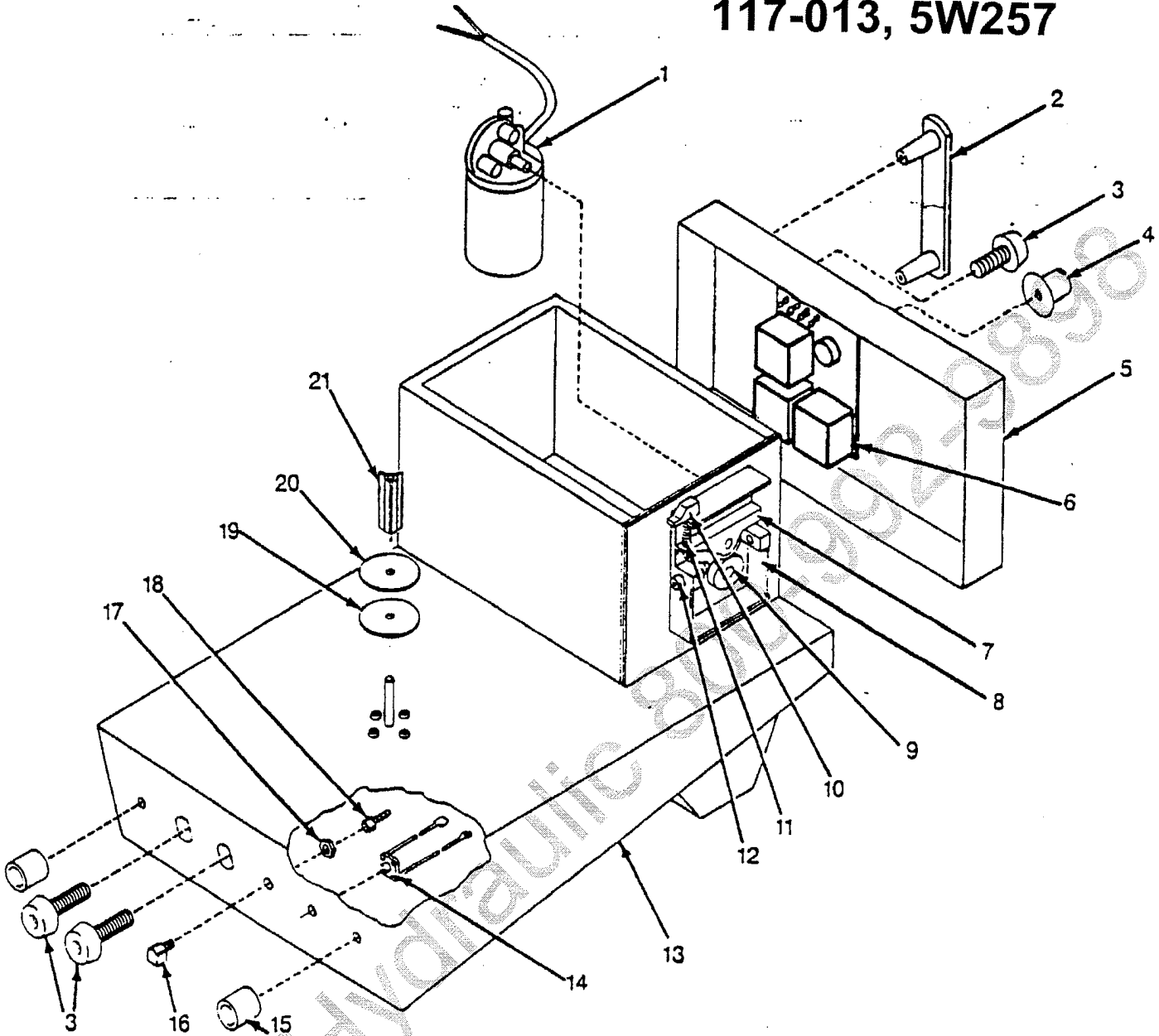


Figure 19

Replacement Parts List

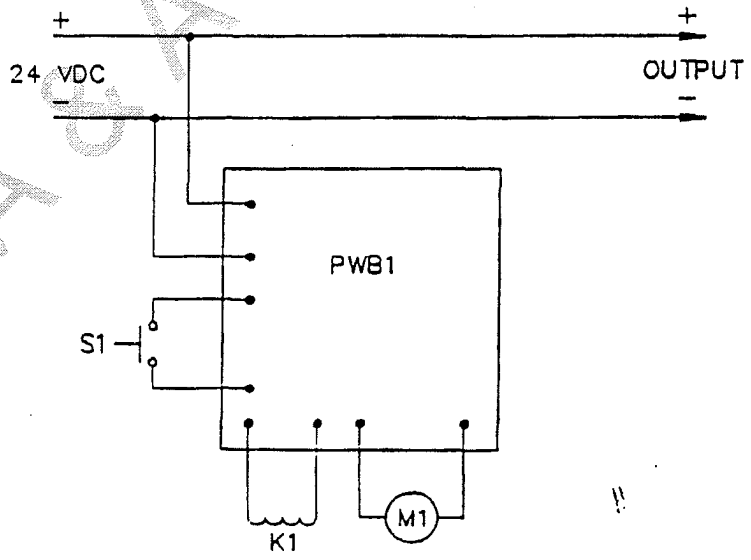
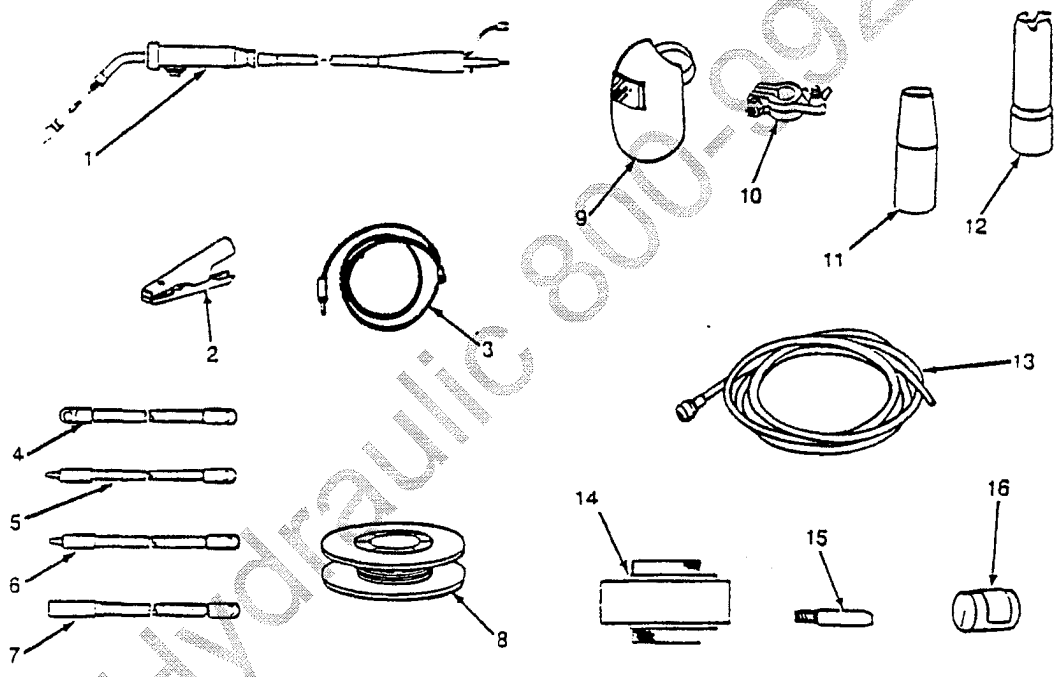
REF. NO.	DESCRIPTION	PART NO.	REF. NO.	DESCRIPTION	PART NO.
1	Drive motor and gear box	860-581-100	13	Undercarriage (plastic)	312-050-000
2	Handle	246-103-000	14	Phone jack assembly	860-658-000
3	Receptacle	312-046-000	15	Foot	441-056-000
4	Knob	246-098-000	16	FNPT Elbow fitting, 1/8" MNPT x 1/8"	253-044-000
5	Front panel	410-380-000	17	Hex nut, 1/8" NPT	253-034-000
6	P.C. board assembly	860-585-000	18	Hose barb fitting, 1/8" FNPT to 1/4"	253-041-000
7	Tension bar	310-123-000	19	Steel washer	091-032-000
8	Drive casting	320-001-000	20	Nylon washer	541-066-000
9	Drive roller	310-119-000	21	Spindle adaptor	541-083-000
10	Toggle assembly	246-114-000	△	Hood w/latch	860-663-000
11	Spring	330-021-000			
12	Inlet guide tube	410-325-000			

△Not shown.

Parts and Accessories

The parts and accessories below are included with your welder. Other portions of this manual will explain their installation and function.

REF. NO.	DESCRIPTION	PART NO.	REF. NO.	DESCRIPTION	PART NO.
1	Gun assembly	238-155-000	12	Spot weld nozzle	334-211-000
2	Ground clamp	239-010-000	13	Plastic gun liner	334-230-000
3	Ground cable	238-124-000	13	Steel gun liner	334-229-000
4	Battery jumper cable	238-153-000	14	Plastic drive roller	860-616-000
5	Positive (red) male cable	238-136-000			
6	Negative (black) male cable	238-137-000			
7	Female cable	238-154-000	15	Contact tips (pkg. of 3 ea)	334-160-001
8	Wire, .045 flux cored, 2 1/2 lbs.	331-436-001			
9	Helmet with #12 lens	332-201-000			
10	Battery terminal	239-100-000	16	Wire pre-wiper	332-210-000
11	Continuous weld nozzle	334-210-000			



SYM	DESCRIPTION
K1	GAS SOLENOID, N/C
M1	WIRE FEED DRIVE MOTOR
PWB1	CONTROL CIRCUIT BOARD
S1	SPST, GUN TRIGGER