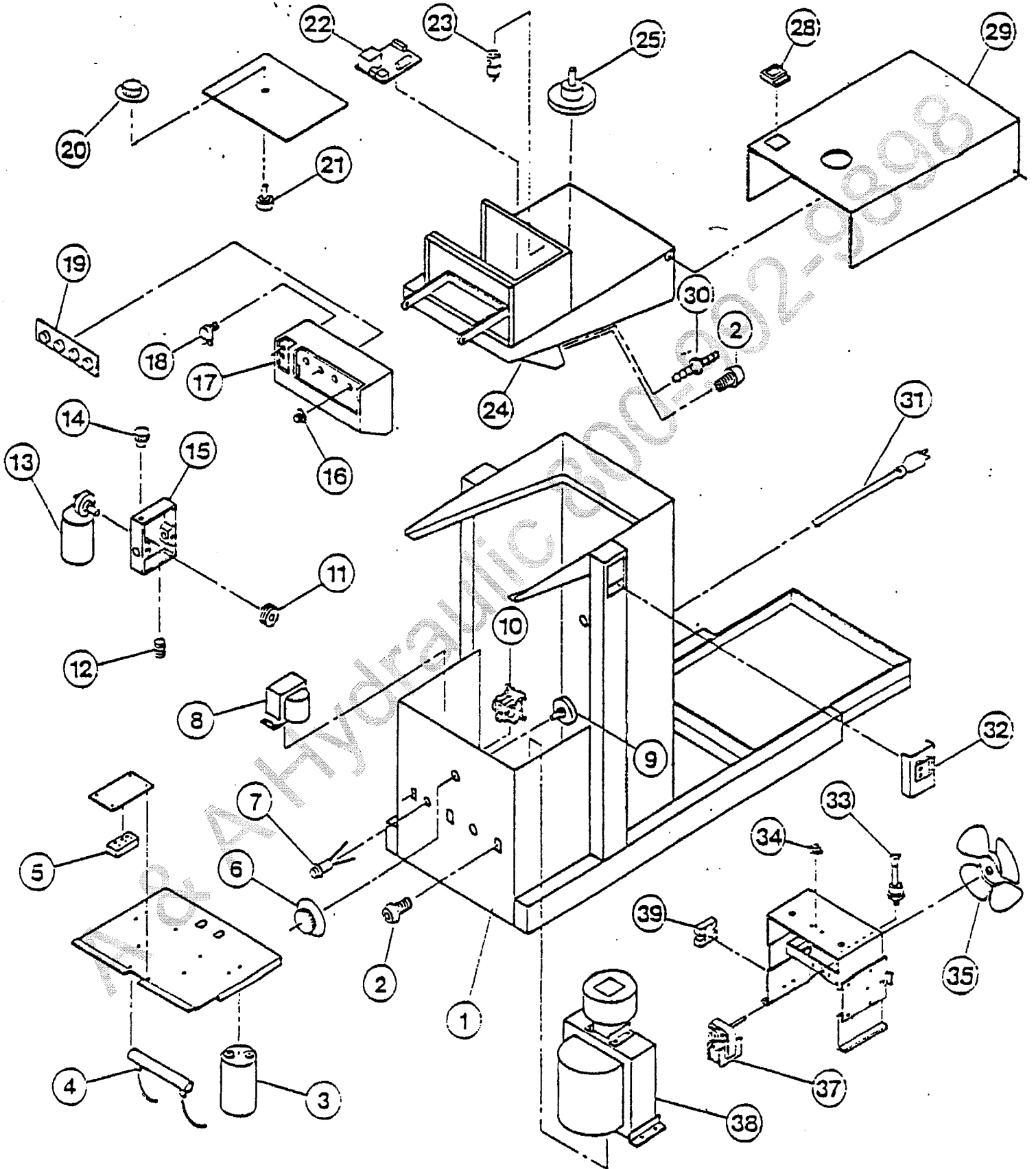


117-024, YA240



REPLACEMENT PARTS

117-024, YA240

ITEM	DESCRIPTION	PART NUMBER
1	Front Panel	410-451-020
2	Receptacle Assembly	312-045-666
3	Capacitor	213-018-666
4	Resistor with Leads	860-784-666
5	Terminal Block	239-057-666
6	Knob, 3" DIA.	246-154-000
7	Power Indicator Light	245-095-666
8	Drive Transformer	880-041-888
9	Switch, 9-Position Rotary	246-149-000
10	Switch, Power	216-010-666
11	Drive Roller, for Steel Wire	310-122-666
	Drive Roller, for Aluminum Wire	860-616-000
12	Spring, Drive Tension	330-025-000
13	Drive Motor	860-581-100
14	Knob, Drive Tension	246-160-000
15	Drive Assembly, Complete	860-803-666
16	Knob, 1" DIA.	246-127-666
17	Plastic Nose Piece with Leads	860-673-000
18	Switch, Push-On Momentary	216-058-000
19	Circuit Board, Spot/Stretch	860-489-666
20	Knob, 2-3/4" DIA.	246-158-666
21	Potentiometer	246-120-666
22	Circuit Board, Control	860-614-666
23	Solenoid Gas Switch	246-212-666
24	Plastic Undercarriage	312-063-666
25	Spindle	312-066-666
28	Slide Latch	312-042-666
29	Hood, with Latch & Labels	860-883-000
30	Hose Barb Fitting	253-047-666
31	Power Cord	248-178-666
32	Drive Head Lock Assembly	860-832-666
33	Diode	244-070-666
34	Thermostat	216-053-666
35	Fan Blade	316-010-666
37	Fan Motor	216-085-166
38	Weld Transformer	860-818-888
39	Triac Relay	216-062-666
40	Rubber Mat (not shown)	512-046-666

OPTIONS: Mig Gun 238-393-000 (4365)

Umbilical Cord, 20 ft.

860-860-100 (YA 240-1)

Dust Cover, Clear Vinyl

334-232-100 (YA 205-2)

NOTE: PRINTED CIRCUIT BOARDS MUST BE RETURNED FOR REPLACEMENT.