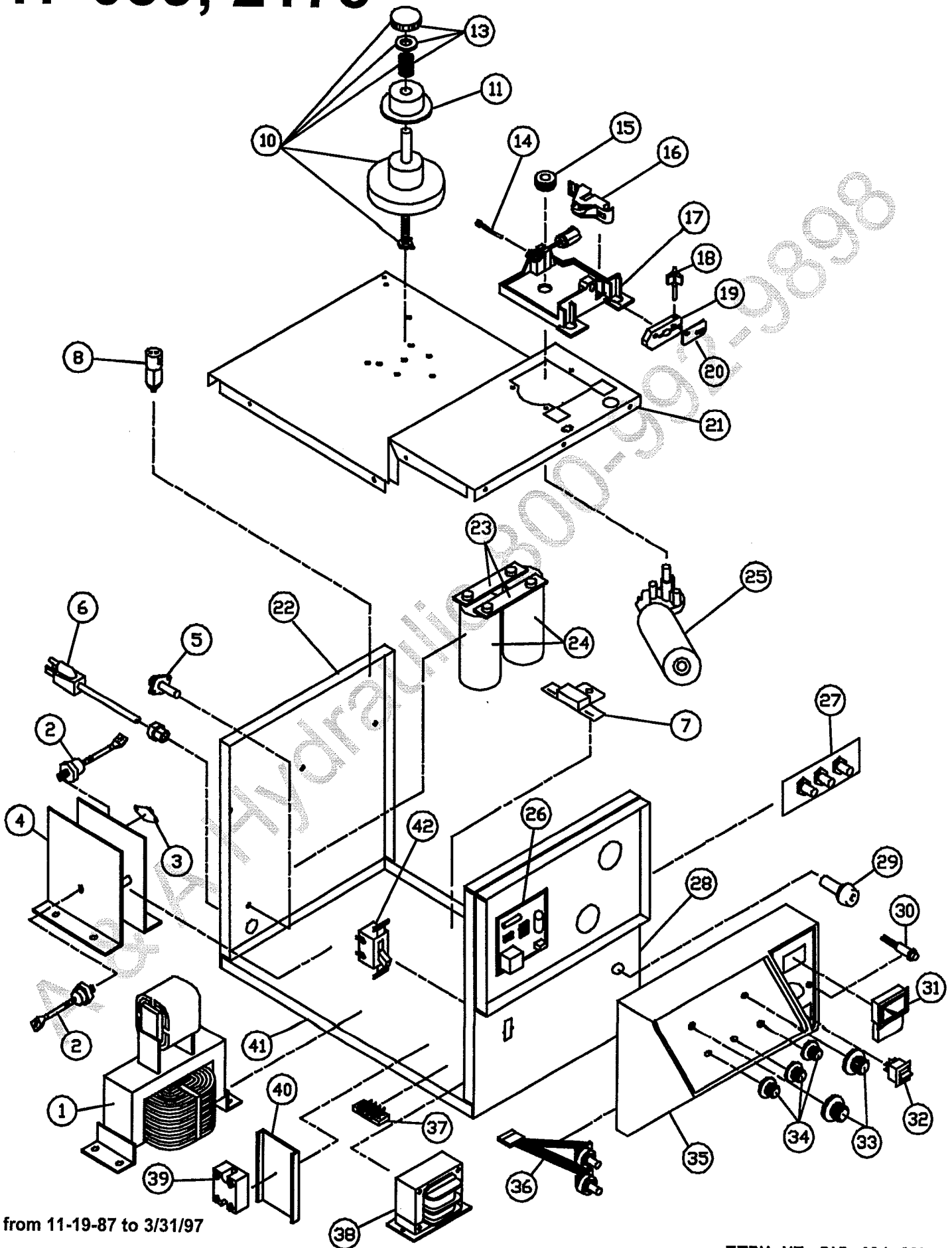


117-039, 2175



Built from 11-19-87 to 3/31/97

FORM NO. 812-604-001

117-039, 2175

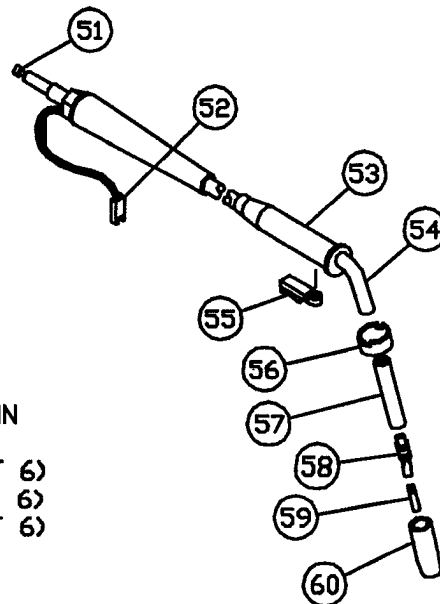
*Check the model number
2175 matches the model
number 117-039 on the welder*

REPLACEMENT PARTS LIST SOLAR 130 AMP WIRE FEED WELDER MODEL 2175, 117-039-200 & 117-039-200A

| ITEM | PART NO. | DESCRIPTION | ITEM | PART NO. | DESCRIPTION |
|------|-------------|--|------|-------------|---|
| 1 | 860-948-888 | TRANSFORMER | 27 | 880-114-666 | SPOT STITCH PCB ASSEMBLY |
| 2 | 214-004-666 | DIODE | 28 | 410-344-030 | FRONT PANEL |
| 3 | 216-053-666 | THERMAL PROTECTOR | 29 | 312-046-666 | RECEPTACLE ASSEMBLY |
| 4 | 860-506-666 | HEATSINK ASSY (CONTAINS 2&3) | 30 | 245-059-666 | POWER INDICATOR LIGHT |
| 5 | 246-116-666 | FUSE HOLDER | 31 | 247-063-666 | WIRE SPEED METER |
| | 245-060-666 | FUSE (BAN-30) | 32 | 216-077-666 | MOMENTARY WIRE & GAS SWITCH |
| 6 | 248-164-666 | POWER CORD | 33 | 246-140-666 | KNOB 1 1/2" DIA |
| 7 | 245-145-666 | RESISTOR | 34 | 246-139-666 | KNOB 1 3/16" DIA |
| 8 | 246-212-666 | GAS SOLENOID VALVE | 35 | 312-101-666 | MOLDED NOSE PIECE |
| 10 | 312-066-666 | BOLT, SPINDLE, SPRING, WASHER AND TENSIONER KNOB | 36 | 860-936-666 | HEAT/WIRE SPEED HARNESS WITH POTENTIOMETERS |
| 11 | 312-110-666 | SPOOL ADAPTOR | 37 | 239-094-666 | TERMINAL BLOCK |
| 13 | 246-363-666 | TENSIONER KNOB, WASHER AND SPRING | 38 | 880-041-888 | DRIVE TRANSFORMER |
| 14 | 239-123-666 | INLET GUIDE TUBE | 39 | 216-055-666 | TRIAC RELAY |
| 15 | 4323 | DRIVE ROLLER | 40 | 412-134-666 | HEATSINK FOR TRIAC |
| | 4324 | DRIVE ROLLER FOR ALUMINUM | 41 | 410-602-666 | BASE |
| 16 | 880-111-666 | DRIVE TENSIONER ASSEMBLY | 42 | 216-042-666 | PWR SWITCH FOR (117-039-200) |
| 17 | 880-130-666 | DRIVE BASE | A 42 | 246-371-666 | PWR SWITCH FOR (117-039-200A) |
| 18 | 246-326-666 | GUN CONNECTOR KNOB | 43 | 4018 | GROUND CABLE ASS'Y 10' W/CLAMP (NOT SHOWN) |
| 19 | 412-465-666 | GUN CONNECTOR | 44 | 239-010-102 | GROUND CLAMP (NOT SHOWN) |
| 20 | 412-464-666 | COPPER JUMPER | 45 | 410-347-010 | RIGHT SIDE PANEL (NOT SHOWN) |
| 21 | 410-680-010 | DRIVE DECK | 46 | 410-348-010 | LEFT SIDE PANEL (NOT SHOWN) |
| 22 | 880-555-010 | BACK PANEL | 47 | 410-351-010 | HOOD (NOT SHOWN) |
| 23 | 410-190-666 | BUSS BAR | 48 | 246-103-666 | HANDLE ASSEMBLY (NOT SHOWN) |
| 24 | 213-018-666 | CAPACITOR | 49 | 4214 | HELMET (OPTIONAL, NOT SHOWN) |
| 25 | 216-089-666 | DRIVE MOTOR | 50 | 334-285-666 | GAS REGULATOR (OPTIONAL, NOT SHOWN) |
| 26 | 880-113-666 | CIRCUIT BOARD CONTROL | | | |

GUN ASSEMBLY

| | | |
|----|-------------|------------------------------|
| 51 | 4331 | STEEL LINER |
| | 4325 | TEFLON LINER |
| 52 | 860-744-000 | GUN WIRING HARNESS |
| 53 | 238-155-100 | COMPLETE GUN ASSEMBLY |
| 54 | 334-227-000 | CONDUCTOR TUBE |
| 55 | 334-221-000 | TRIGGER ASSEMBLY |
| 56 | 334-219-000 | HANDLE CAP |
| 57 | | CONDUCTOR TUBE INSULATION |
| 58 | 334-228-000 | GAS DIFFUSER |
| 59 | 4309 | .024 CONTACT TIPS (BAG OF 6) |
| | 4310 | .030 CONTACT TIPS (BAG OF 6) |
| | 4311 | .035 CONTACT TIPS (BAG OF 6) |
| 60 | 4348 | NOZZLE, STEEL (TAPERED) |
| | 4329 | NOZZLE, SPOT (NOTCHED) |



Built from 11-19-87 to 3/31/97

SERVICING SHOULD BE PERFORMED BY QUALIFIED SERVICE PERSONNEL.