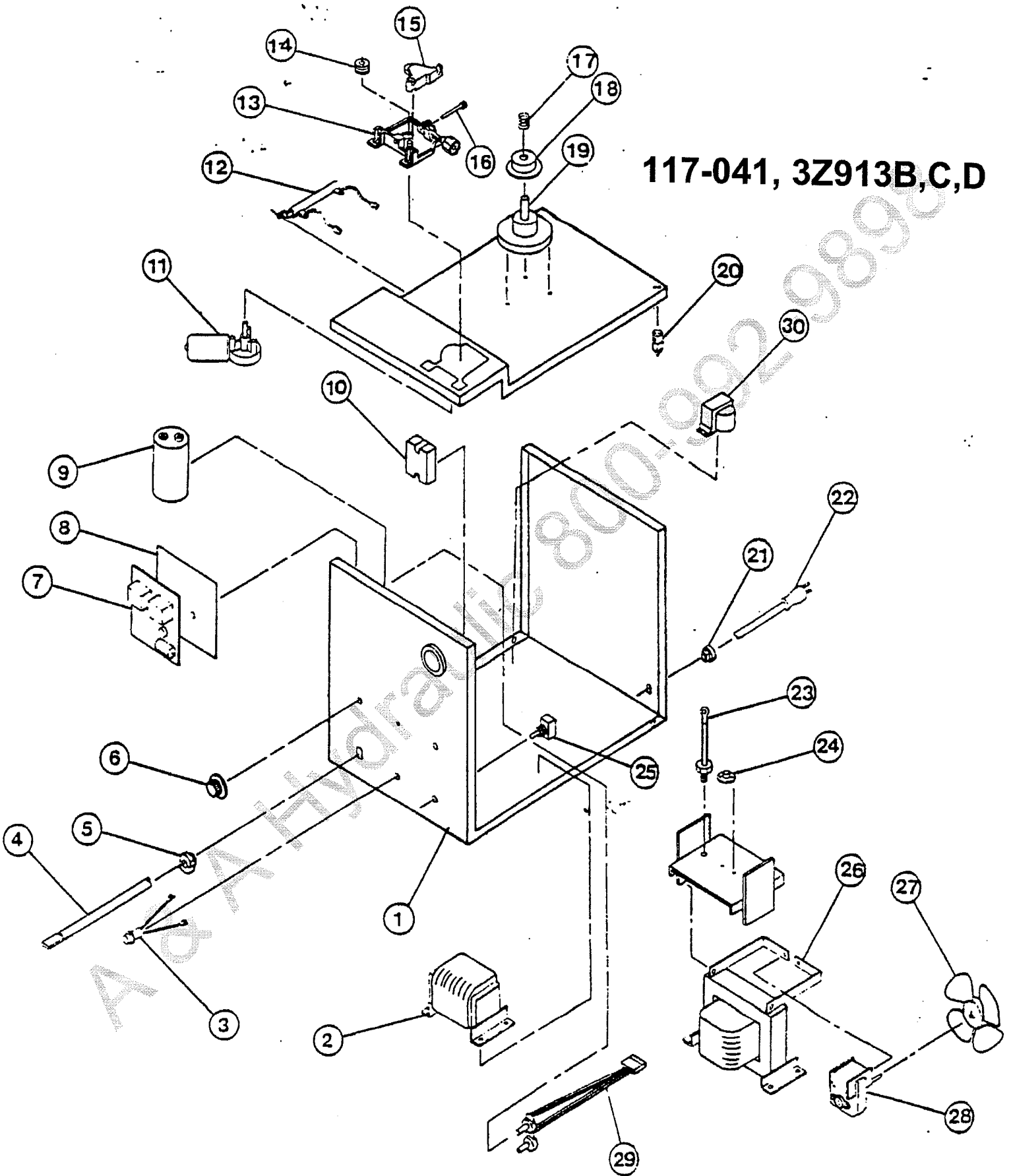


117-041, 3Z913B,C,D



117-041, 3Z913B,C,D

| Item | Lincoln Stock # | Customer # | Description |
|------|-----------------|--------------------|---|
| 1 | | 711-163-026 | Faceplate |
| 2 | | 860-572-888 | Reactor |
| 3 | | 245-085-666 | Power Light, 120 Vac |
| 4 | | 238-116-666 | Ground Cable, 6 ga., 9' |
| 5 | | 541-057-000 | Strain Relief |
| 6 | | 246-105-666 | Knob, 1/2" |
| 7 | 880-113-666 | 880-113-666 | Main Circuit Board |
| 8 | | 512-041-666 | Insulation |
| 9 | 213-018-666 | 213-018-666 | Capacitor, 45,000mf, 45Vdc |
| 10 | 216-055-666 | 216-055-666 | Triac Relay, 40 amp |
| 11 | 216-079-666 | 216-079-666 | Drive Motor w/gearbox, OSLV |
| 12 | | 245-038-200 | 25Ω, 50 Watt bleeder resistor |
| 13 | 880-130-666 | 880-130-666 | Drive base assembly |
| 14 | 310-122-500 | 4323 | Drive roller, 0.024 / 0.030 / 0.035 |
| 15 | | 312-107-000 | Tension arm only |
| 16 | | 239-208-000 | Inlet guide tube |
| 17 | | 330-029-666 | Spool Tensioner Spring |
| 18 | 312-110-666 | 312-110-666 | Spool Adapter |
| 19 | 312-066-666 | 860-575-100 | Spindle |
| 20 | 246-086-666 | 246-086-666 | Gas solenoid, 24Vdc |
| 21 | | 541-020-666 | Strain Relief |
| 22 | | 248-182-666 | Power Cord |
| 23 | 860-476-666 | 860-476-666 | Diode assy. |
| 24 | 216-053-666 | 216-053-666 | Thermostat |
| 25 | | 246-210-666 | Power Switch, SPST, 20A, 120Vac |
| 26 | | 880-071-888 | Main Transformer |
| 27 | | 316-009-666 | Fan Blade |
| 28 | 216-087-666 | 216-087-666 | Fan Motor |
| 29 | 880-052-666 | 880-052-666 | Heat & wire speed harness w/ potentiometers |
| 30 | | 880-070-888 | Drive Transformer |

Not Shown

| | | | |
|----|--------------------|--------------------|-------------------|
| 34 | 238-155-000 | 235-155-500 | 10' Mig Gun |
| 35 | | 412-304-666 | Copper jumper bar |
| 36 | | 412-280-666 | Gun Connector |

| Model | Primary Input | Input Plug | Duty Cycle at Rated Output |
|---------|---------------|------------|----------------------------|
| 117-041 | 120V, 15A | 15A | 20% |

8/8/2006

| Rated Output | Voltage Settings | Agency Listing | Max Output |
|--------------|------------------|----------------|------------|
| 90 amps | Infinite | CSA | 90 amps |