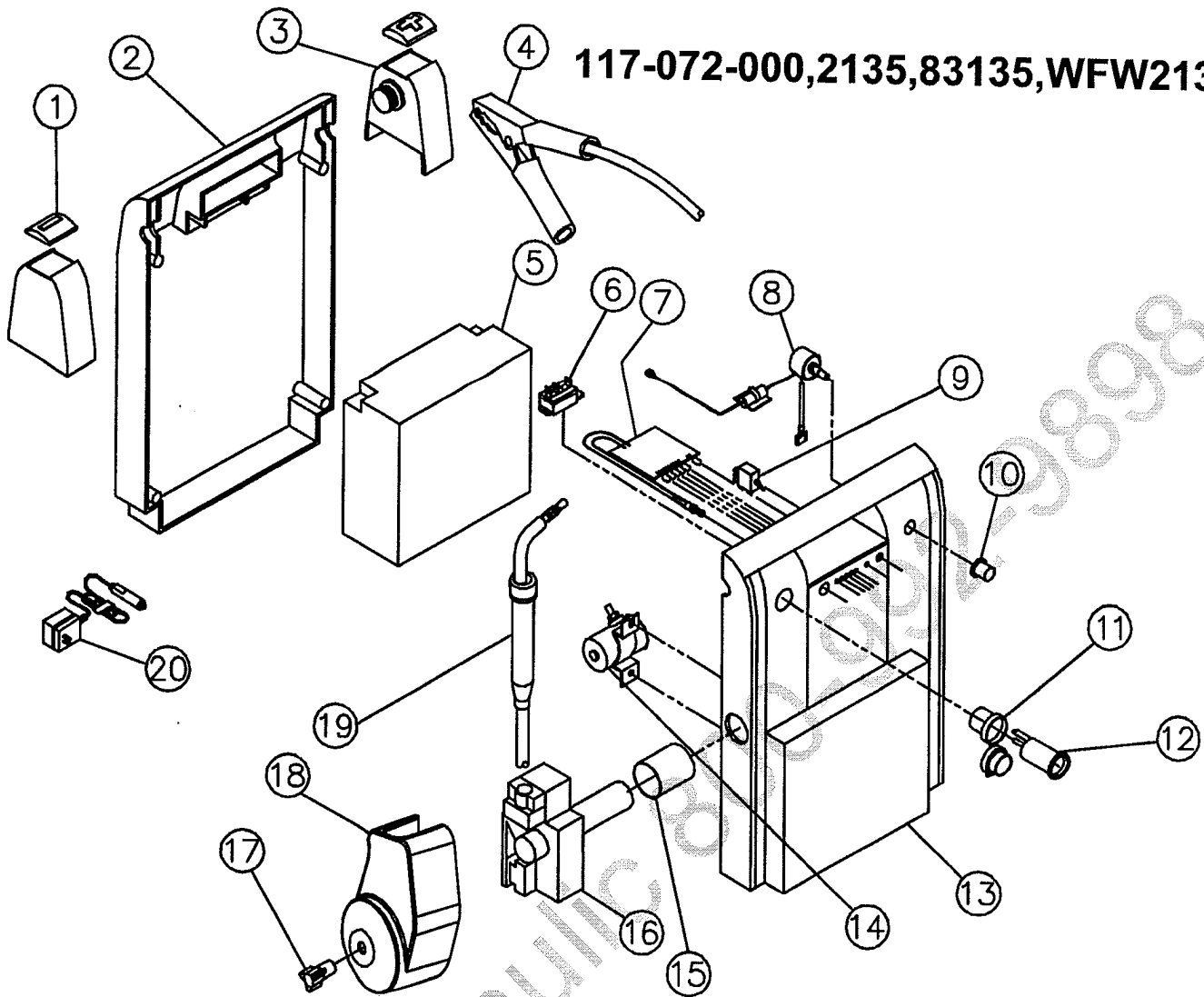


117-072-000,2135,83135,WFW2135



REPLACEMENT PARTS LIST, MODEL 2135, 117-072-000  
CORDLESS WIRE FEED WELDER WITH SOLENOID

| ITEM | DESCRIPTION                | PART NUMBER |
|------|----------------------------|-------------|
| 1.   | NEGATIVE CAP. & HOLSTER    | 312-258-000 |
| 2.   | CASE, BACK                 | 312-259-000 |
| 3.   | POSITIVE CAP & HOLSTER     | 312-257-000 |
| 4.   | CABLE, GROUND ASSEMBLY     | 238-491-666 |
| 5.   | BATTERY, PANASONIC (QTY 2) | ES1217      |
| 6.   | CIRCUIT BREAKER            | 246-416-666 |
| 7.   | PCB ASSEMBLY               | 880-388-666 |
| 8.   | REOSTATE/RESISTOR ASSY     | 880-390-666 |
| 9.   | TOGGLE SWITCH              | 246-400-666 |
| 10.  | KNOB                       | 246-399-666 |
| 11.  | RETAINER, SNAP-IN W/CAP    | 312-283-000 |
| 12.  | CIGARETTE LIGHTER SOCKET   | 246-417-666 |
| 13.  | CASE, FRONT                | 312-256-000 |
| 14.  | SOLENOID                   | 246-398-666 |
| 15.  | MOTOR COVER                | 312-265-000 |
| 16.  | GEAR MOTOR/DRIVE ASSY      | 880-382-666 |
| 17.  | KNOB                       | 246-419-666 |
| 18.  | MOLDED COVER               | 312-261-000 |
| 19.  | GUN ASSY                   | 238-490-666 |
| 20.  | CHARGER, .75AMP            | 141-301-000 |

SERVICING SHOULD BE PERFORMED BY QUALIFIED SERVICE PERSONNEL.

FORM NO. 812-654-000  
REV A