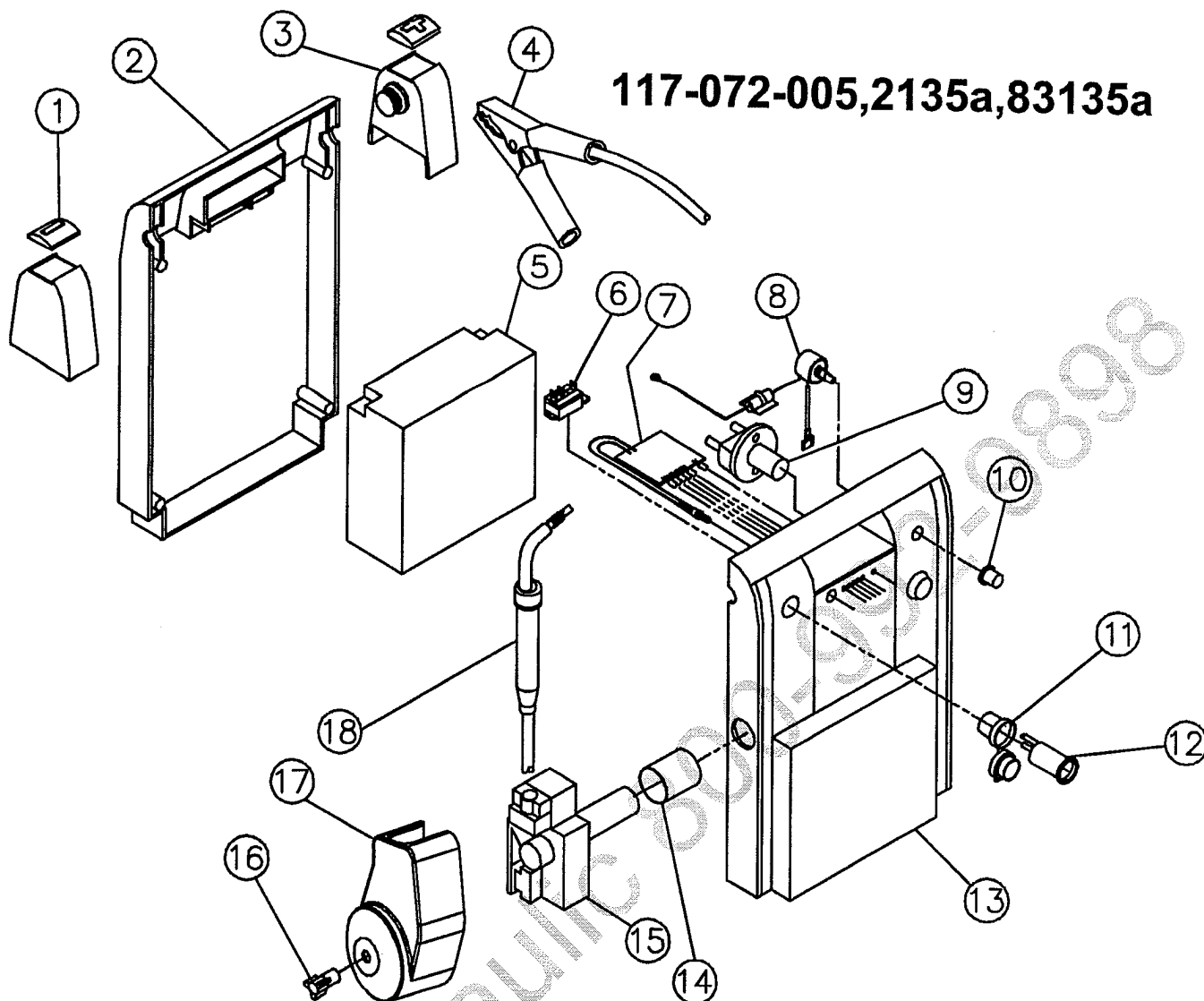


117-072-005,2135a,83135a



REPLACEMENT PARTS LIST
CORDLESS WIRE FEED WELDER

ITEM	DESCRIPTION	PART NUMBER
1.	NEGATIVE CAP & HOLSTER	312-258-000
2.	CASE, BACK	312-259-000
3.	POSITIVE CAP & HOLSTER	312-257-000
4.	CABLE, GROUND ASSEMBLY	238-491-666
5.	BATTERY, PANASONIC (QTY 2)	ES1217
6.	CIRCUIT BREAKER	246-416-666
7.	PCB ASSEMBLY	880-420-666
8.	RHEOSTATE/RESISTOR ASSY	880-390-666
9.	KEY SWITCH	246-425-666
10.	KNOB	246-399-666
11.	RETAINER, SNAP-IN W/CAP	312-283-000
12.	CIGARETTE LIGHTER SOCKET	246-417-666
13.	CASE, FRONT	312-298-000
14.	MOTOR COVER	312-265-000
15.	GEAR MOTOR/DRIVE ASSY	880-382-666
16.	KNOB	246-419-666
17.	MOLDED COVER	312-251-000
18.	GUN ASSY.	238-490-666
19.	CHARGER ONLY (NOT SHOWN)	141-301-000
20.	KEY FOR SWITCH (NOT SHOWN)	312-301-000

SERVICING SHOULD BE PERFORMED BY QUALIFIED SERVICE PERSONNEL.

FORM NO. 812-677-000