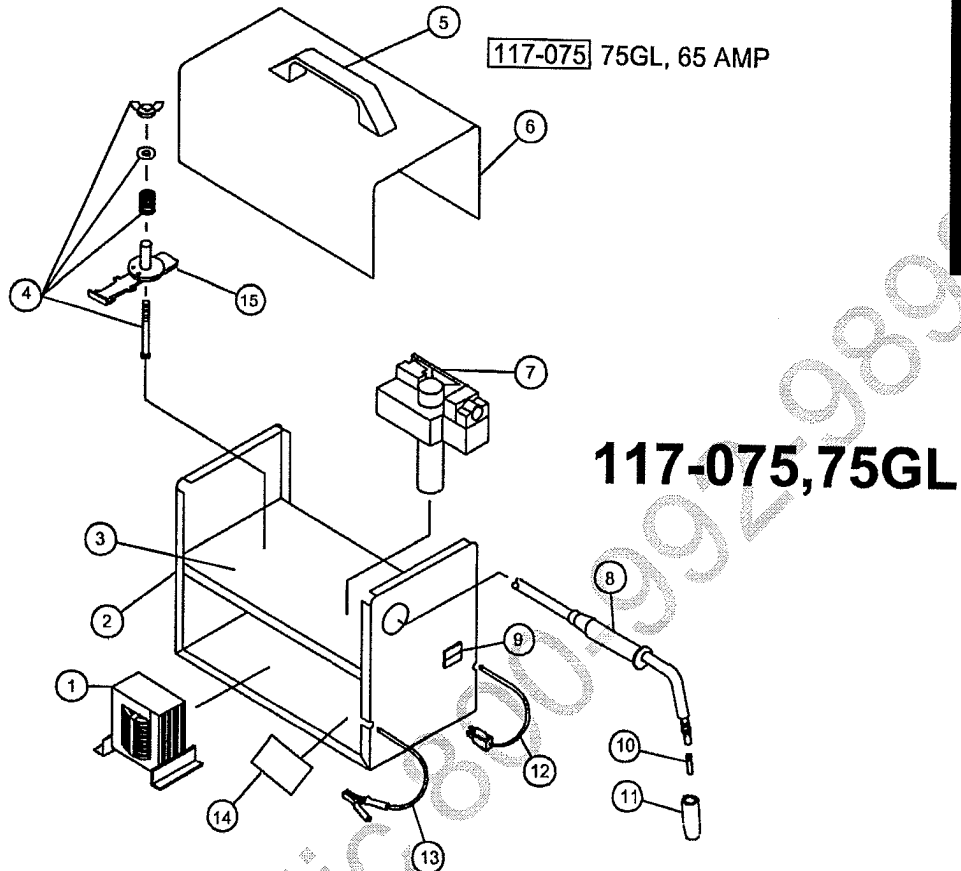


REPLACEMENT PARTS LIST

E
N
G
L
I
S
H



Use the information in this parts list to order replacement parts.

All service work should be performed by qualified service personnel

ITEM	DESCRIPTION	PART NO.
1	Transformer Ass'y	880-409-888
	Thermal protector only	880-397-000
2	Base	410-857-000
3	Drive deck	410-833-010
4	Wire Tension Ass'y	131-350-002
5	Handle	312-264-000
6	Hood	410-835-***
7	Drive Motor Gear Box Ass'y	880-382-000
8	Gun Ass'y	238-542-000
9	3 Position Switch	246-405-000
10	Contact Tip Package of 6	4310
11	Nozzle	4348
12	Power cord	248-309-000
13	Ground Cable Ass'y	880-395-000
14	Printed Circuit Board, Wire Speed Control	880-391-006
15	Spindle Ass'y	312-076-666
16	Drive Roller	310-187-666

*** Contact Factory