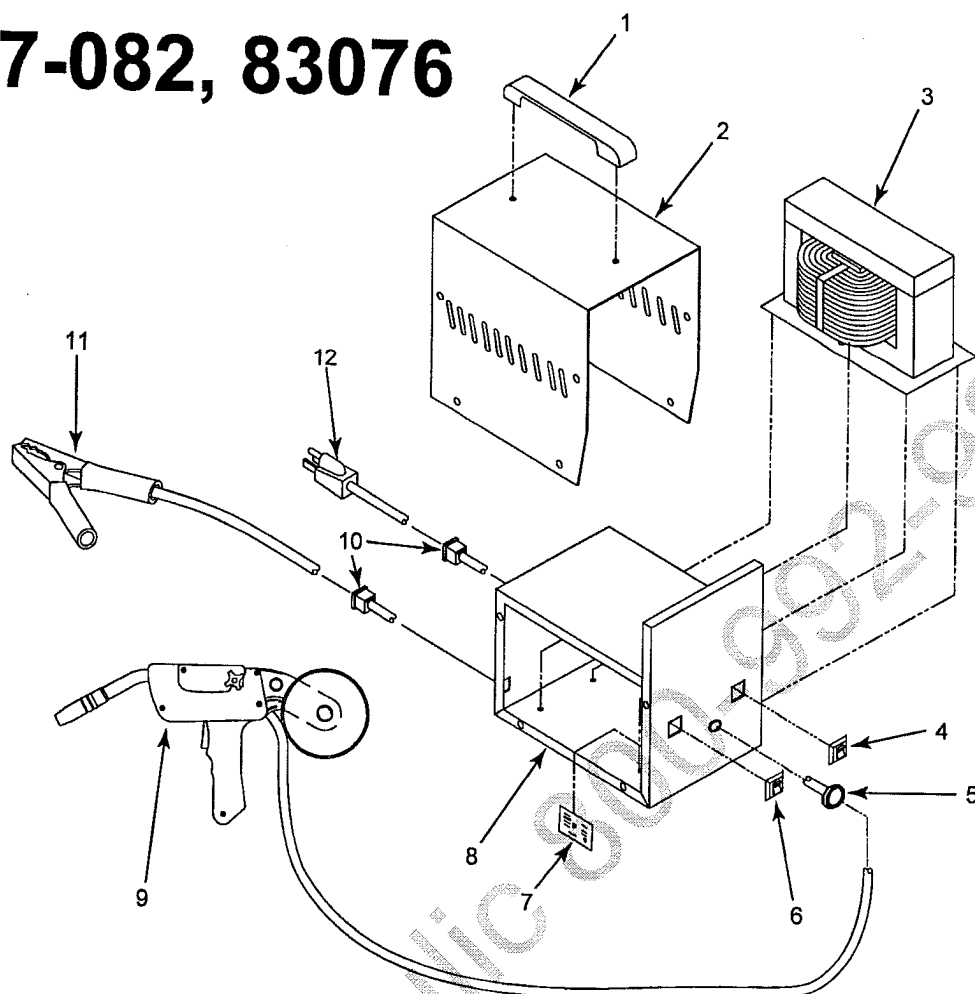


REPLACEMENT PARTS LISTS

117-082, 83076



Use the information in this parts list to order replacement parts.
All service work should be performed by qualified service personnel.

ITEM	DESCRIPTION	PART NO.
1	Handle	312-264-000
2	Cover	410-852-XXX
3	Transformer Assembly	880-392-888
	Thermal Protector Only	880-397-000
4	Power Switch	246-405-000
5	Strain Relief Bushing	541-056-000
6	Range Switch	246-404-000
7	Circuit Board (speed control)	880-440-006
8	Base	410-959-XXX
9	Spool Gun Assembly	238-580-000
10	Strain Relief	541-243-000
11	Ground Clamp	239-010-102
	Ground Clamp Cable	238-223-000
12	Power Cord	248-321-000
§	Welding Face Shield	332-239-666
§	Not Shown	X XX Order by Brand