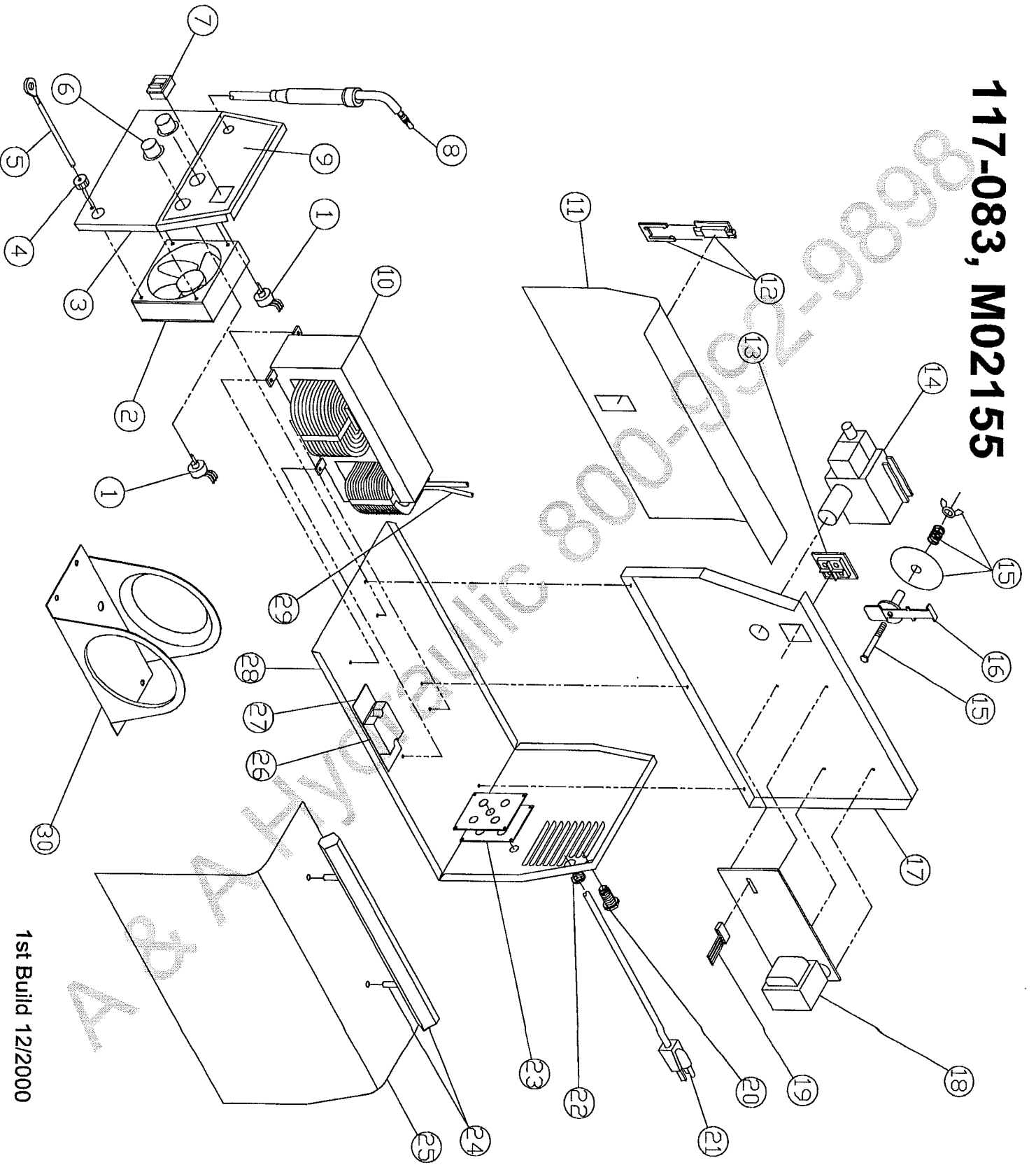


117-083, M02155



117-083, M02155

Item	Lincoln Stock #	Customer #	Description
1		246-120-000	Heat potentiometer, 5K, 1/4w
2		216-100-000	Fan motor
3		410-900-XXX	Front panel
4		541-057-000	Strain relief
5		238-223-666	Cable assy.
6		246-107-000	Knob
7		246-423-000	Power switch, DPST lighted
8		238-592-000	6' mig gun
		238-593-000	10' Mig Gun
9		410-869-XXX	Control panel
10	NLA	880-449-888	Transformer
11		410-865-XXX	Left side panel
12		312-295-666	Slide latch w/clip
13		246-414-666	Terminal block
14	880-406-001	880-406-666	Drive motor / gear box
	310-210-666	310-187-000	Steel drive roller, (0.024/0.030/0.035)
	880-427-666	880-427-666	Neoprene drive roller for aluminum
15	131-419-000		Tension kit less 312-110-666
16	312-076-666		Spindle
17		410-867-XXX	Center panel
		880-451-666 /	
18		880-456-000	Circuit board w/heat sink

Model	Primary Input	Input Plug	Duty Cycle at Rated Output
117-083	120V, 15a	15A	20%

Item	Lincoln Stock #	Customer #	Description
19		870-425-666	Harness
20	253-333-000	253-333-666	Push in union fitting (5/32")
21		248-328-666	Power cord
22		239-074-666	Bushing
23	880-402-666	880-454-666	Rectifier (includes 2 plates)
24		312-296-666	Handle
25		410-864-XXX	Right side panel
26	216-055-666	216-055-666	Triac relay
27		412-723-000	Heatsink
28		880-431-000	Base
29		246-428-000 , 880-426-000	Thermal protector

Not Shown			
30	334-460-001	334-460-666	Regulator
31	S26399-28	059-217-040	5/32" gas hose
32	KP2039-1B1	43090	0.025 contact tips
33	KP2039-2B1	43100	0.030 contact tips
34	KP2039-3B1	43110	0.035 contact tips
35	334-203-000	43480	Steel welding nozzle
36	312-110-666	312-110-666	Wire spool adapter
37	239-010-300	239-010-102	Ground clamp
38	KH600		Helmet

Rated Output	Voltage Settings	Agency Listing	Output
90 amps	Infinite	Cul	30-125 amps