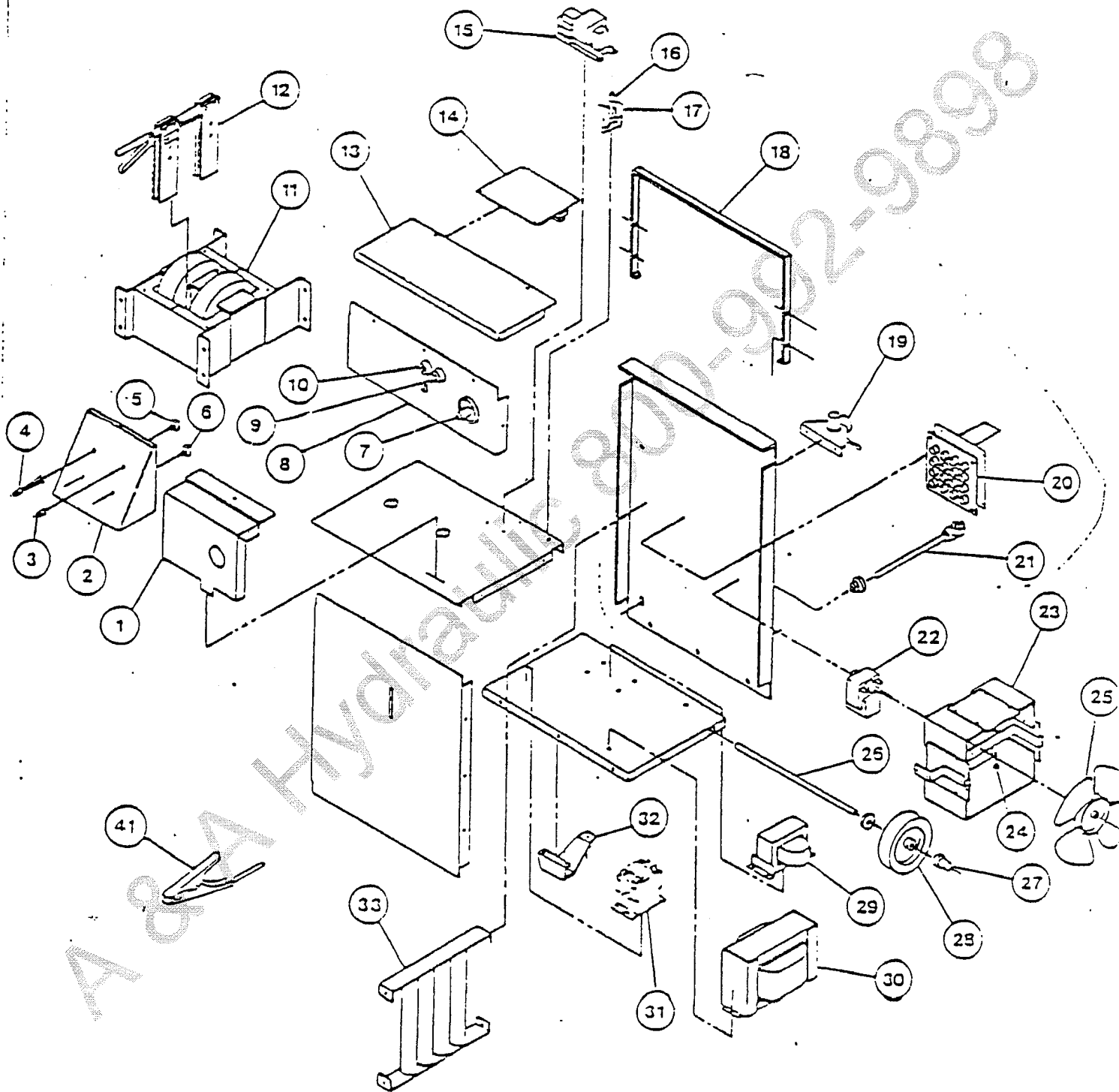


REPLACEMENT PARTS LIST
SOLAR PLASMA ARC CUTTER

118-002, 2040



118-002, 2040

CONSUMABLES HAVE BEEN
MANUFACTURE TESTED TO
WORK WITH THE PRODUCT

Item	Lincoln Stock #	Customer #	Description	Item	Lincoln Stock #	Customer #	Description
1		410-471-020	Access panel	25		316-010-000	Fan blade
2		312-065-000	Nose	26		413-022-100	Axle
3		245-088-000	Red lamp	27		068-024-666	Hubs (2)
4		245-078-000	Amber lamp	28		413-030-000	Wheel
5		246-163-000	Toggle switch, DPST	29		860-852-100	Control Transformer 230Vac to 120 & 24Vac
6		246-164-000	Toggle switch, SPDT	30		860-966-000	Reactor coil
7		210-220-000	Coupling coil	31		216-165-000	Contactora
8		410-468-020	Torch mounting panel	32		413-023-100	Foot
9		253-058-000	Fitting, pilot arc	33		N/A	Resistor bank assy.
10		312-045-666	Ground cable jack			215-028-000	8Ω, 420 Watt Resistor (needs 2)
11		860-843-888	Transformer				
12	860-402-666	860-402-666	Shunt				
13		410-475-010	Top panel				
14		860-862-000	Main circuit board				
15		860-855-888	High voltage transformer				
16		252-003-000	Air pressure switch				
17		246-166-666	Solenoid w/ fitting				
18		412-147-010	Handle				
19	254-004-666	860-863-000	Regulator				
20		860-850-000	Capacitor bank assy.				
21		218-089-000	Power cord				
22	216-099-666	216-072-000	Fan motor				
23		860-849-000	Rectifier assy.				
24		860-849-000	Diode, 70 amp, 1000 volt				

Not Shown							
36		860-853-666	5Ω, 50 Watt Resistor				
37		860-993-666	500Ω, 100 Watt Resistor				
38		213-022-000	Spark tip, single sided				
39		213-023-000	Spark tip, double sided				
40		860-992-000	25' Torch Assembly				
41		44040	Standard nozzle cap				
42		334-266-908	Standard nozzle				
43		44030	Swirl ring				
44		44020	Electrode				
45		44050	O-Rings				
46		44140	Tapered nozzle cap				
47		44110	Tapered nozzle				

Rated Output	Voltage Settings	Agency Listing	Rated Cutting Thickness
40 amps	Infinite	CSA	1/2"

9/27/2005

Model	Primary Input	Input Plug	Duty Cycle at Rated Output
118-002	230V, 42 amps	50A	40%