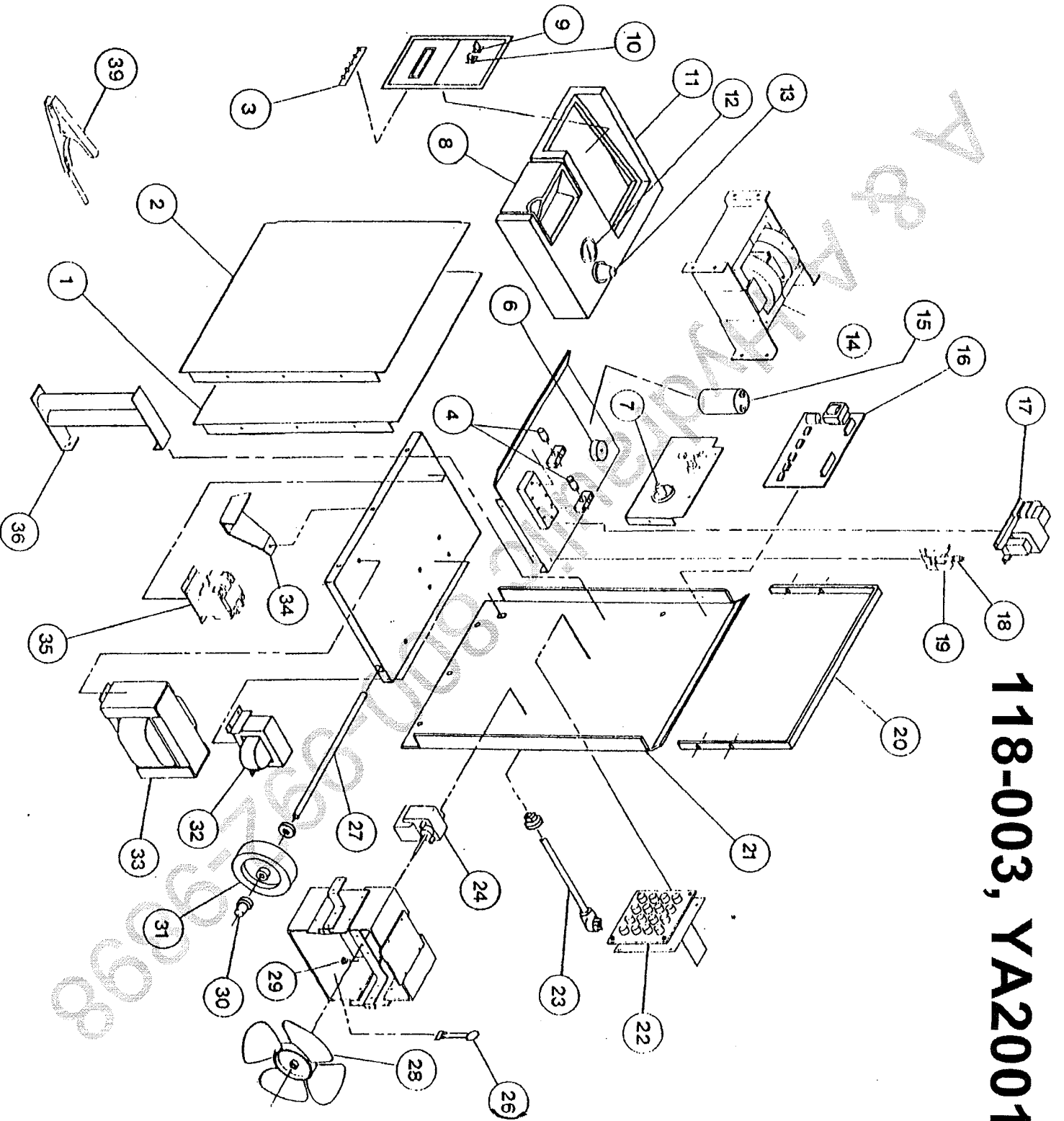


118-003, YA2001



118-003, YA2001

CONSUMABLES HAVE BEEN
MANUFACTURE TESTED TO
WORK WITH THE PRODUCT

Item	Lincoln Stock #	Customer #	Description
1		410-526-010	Front Panel
2		410-490-020	False Front Panel
3		860-894-000	Diagnostic Panel Assembly
4		213-022-000 213-023-000	Single Sided Spark Tip, Dual Sided Spark Tip
6		213-029-666	Ceramic Capacitor
7		210-220-000	Coupling Coil
8		312-070-000	Access Panel
9		216-074-000, 246-213-000	Power Switch, DPST
10		216-075-000, 246-213-000	Run/Setup Switch, SPST
11		312-072-000	Molded Nose
12		251-003-000	Pressure Gauge
13	254-004-666	254-003-666	Air Regulator
14		860-897-888	Transformer.
15		213-028-000	Capacitor, 800mf, 350Vdc
16		860-962-666	Main Circuit Board
17		860-855-888	High Voltage Transformer
18		252-003-000	Air pressure switch
19	246-086-666	246-166-666	Solenoid
20		412-256-010	Handle
21		410-525-010	Back Panel
22		860-850-000	Capacitor bank assy.
23		218-089-000	Power cord
24	216-099-666	216-085-366	Fan motor
26		860-848-000	Transient Protector

Model	Primary Input	Input Plug	Duty Cycle at Rated Output
118-003	230V, 42 amps	50A	40%

Item	Lincoln Stock #	Customer #	Description
27		413-022-100	Axle
28		316-010-000	Fan blade
29		860-849-000	Diode assy.
30		068-024-666	Hubs (2)
31		413-030-000	Wheel
32		860-852-888	Control Transformer 230Vac to 120 & 24Vac
33		860-845-888	Reactor coil
34		413-023-106	Foot
35	246-165-666	216-165-000	Contactors
36		215-028-000	8Ω, 420 Watt Resistor (2)
37		410-523-010	Right Side Panel
38		410-524-010	Left Side Panel
39		238-228-000	Ground cable assy.

Item	Lincoln Stock #	Customer #	Description
40		860-853-666	5Ω, 50 Watt Resistor
41		860-993-666	500Ω, 100 Watt Resistor
42		860-992-000	25' Torch Assembly
43		44040 334-266-908	Standard nozzle cap
44		44010 334-265-908	Standard nozzle
45		44030 334-264-908	Swirl ring
46		44020 334-263-908	Electrode
47		44050 512-087-908	O-Rings
48		44140 334-271-908	Tapered nozzle cap
49		44110 334-270-908	Tapered nozzle

Rated Output	Voltage Settings	Agency Listing	Rated Cutting Thickness
40 amps	Infinite	CSA	1/2"

10/13/2005