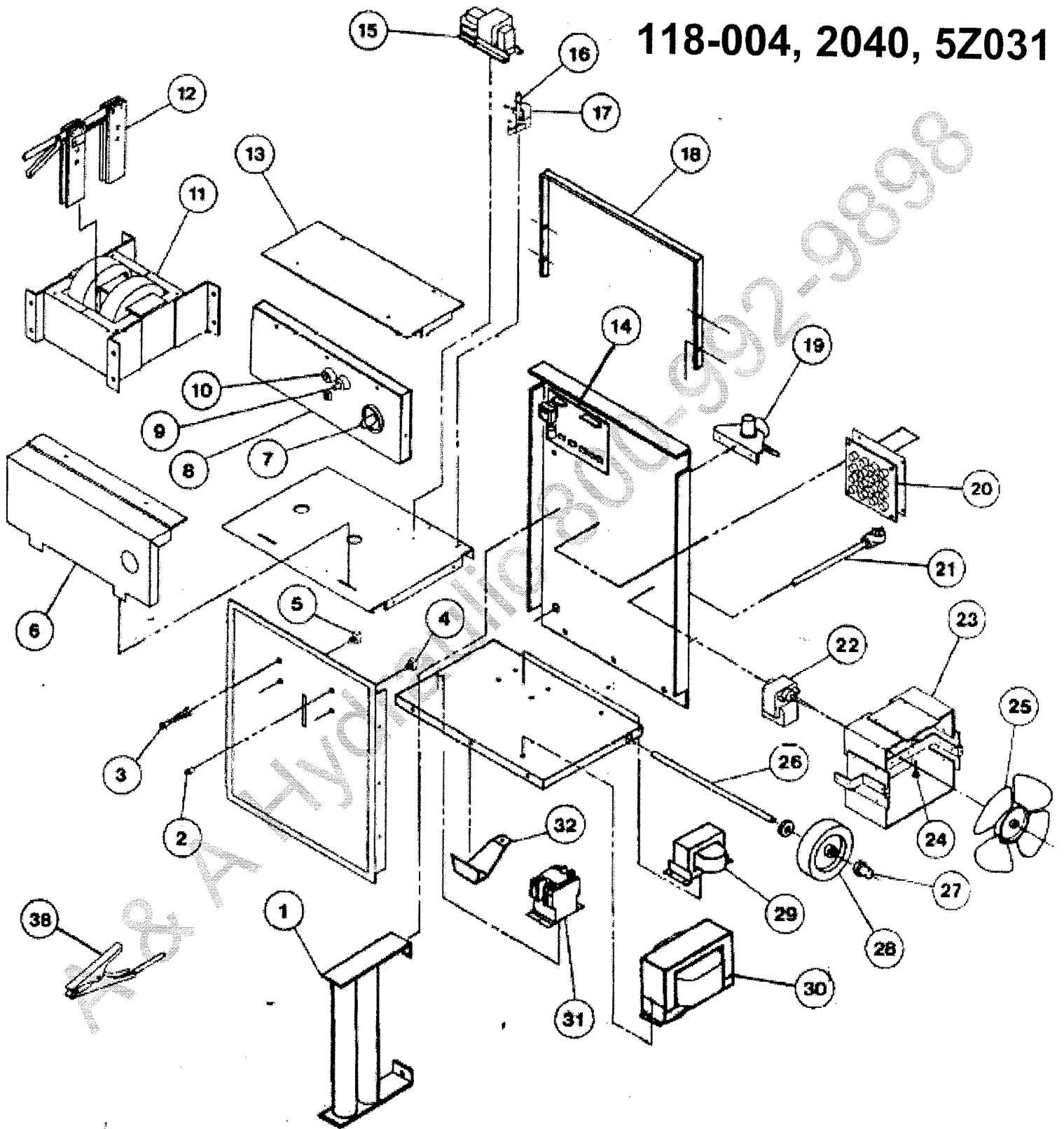


118-004, 2040, 5Z031



118-004, 2040, 5Z031

MANUFACTURE TESTED TO WORK WITH THE PRODUCT

Item	Lincoln Stock #	Customer #	Description	Item	Lincoln Stock #	Customer #	Description
1		N/A	Resistor bank assy.	24		860-849-666	Diode, 70 amp, 1000v
2		215-028-000	8Ω, 420 Watt Resistor (needs 2)	25		316-010-000	Fan blade
3		245-088-000	Red lamp	26		413-022-106	Axle
4		245-078-000	Amber lamp	27		068-024-666	Hubs (2)
5		246-164-000	Toggle switch, SPDT	28		413-030-000	Wheel
6		246-163-000	Toggle switch, DPST	29		860-852-888	Control Transformer 230Vac to 120 & 24Vac
7		410-463-060	Access panel	30		860-966-888	Reactor coil
8		210-220-000	Coupling coil	31		216-165-000	Contacto
9		410-537-020	Torch mounting panel	32		413-023-106	Foot
10		253-058-000	Fitting, pilot arc	33		238-228-000	Ground cable w/ clamp
11		312-045-666	Ground cable jack	Not Shown			
12	860-402-666	860-964-888	Transformer	34		860-853-666	5Ω, 50 Watt Resistor
13		860-402-666	Shunt	35		860-993-666	500Ω, 100 Watt Resistor
14		410-533-030	Top panel	36		213-022-000	Spark tip, single sided
15		860-962-666	Main circuit board	37		213-023-000	Spark tip, double sided
16		860-855-888	High voltage transformer	38	860-992-100	860-992-000	25' Torch Assembly
17		252-003-000	Air pressure switch	39		44040 334-266-908	Standard nozzle cap
18		246-166-666	Solenoid w/ fitting	40		44010 334-265-908	Standard nozzle
19		412-256-016	Handle	41		44030 334-264-908	Swirl ring
20	254-004-666	254-003-666	Regulator	42		44020 334-263-908	Electrode
21		251-002-666	Gauge	43		44050 512-087-908	O-Rings
22		860-850-000	Capacitor assy.	44		44140 334-271-908	Tapered nozzle cap
23	216-099-666	218-089-000	Power cord	45		44110 334-270-908	Tapered nozzle
		216-085-366	Fan Motor				

9/27/2005

Rated Output	Voltage Settings	Agency Listing	Rated Cutting Thickness
40 amps	Infinite	CSA	1/2"

Model	Primary Input	Input Plug	Duty Cycle at Rated Output
118-004	230V, 42 amps	50A	40%