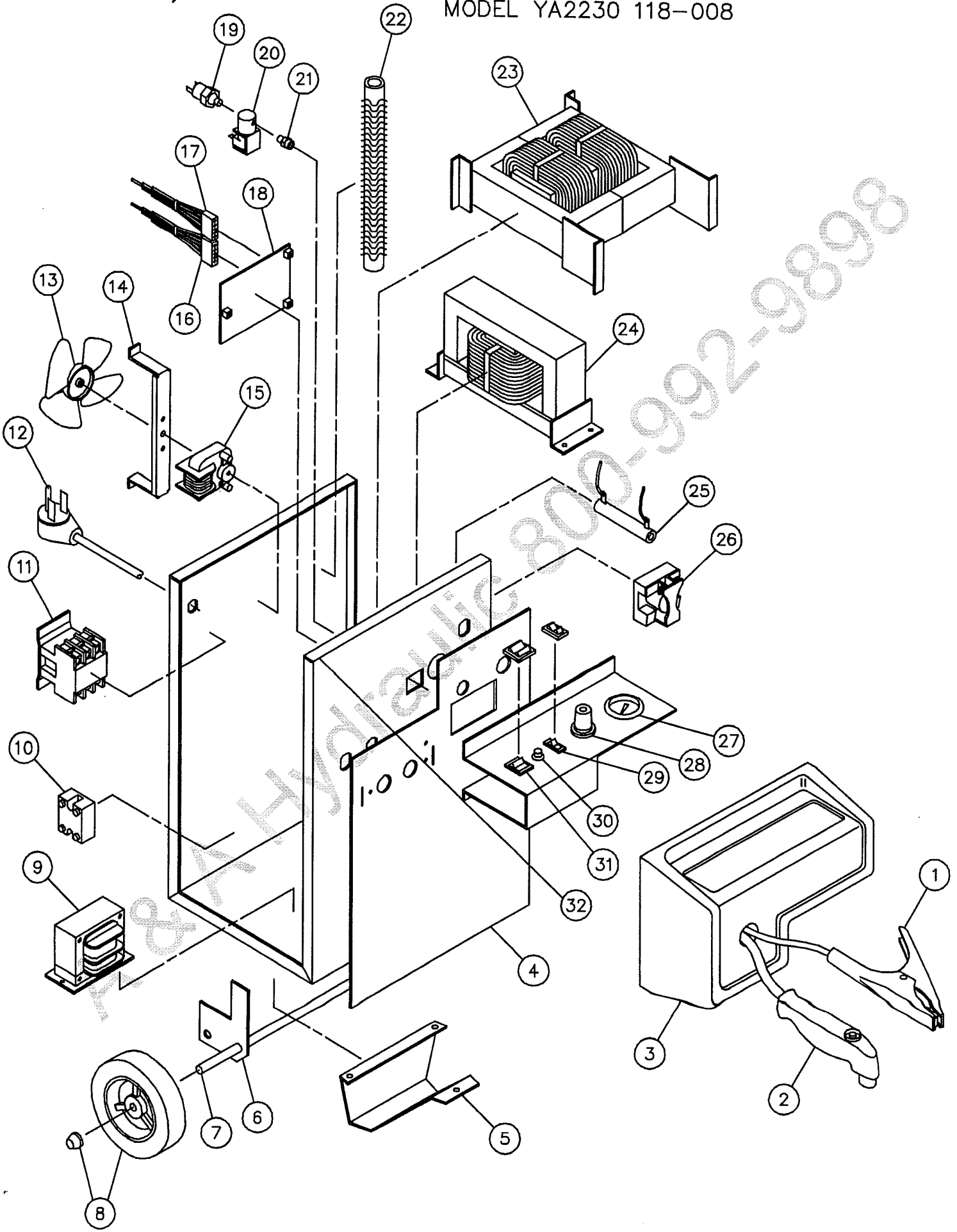


# 118-008, YA2230 SNAP-ON 22 AMP PLASMA ARC CUTTER MODEL YA2230 118-008



# 118-008, YA2230

Lincoln

Item	Stock #	Customer #	Description
1		238-244-666	Ground Cable w/Clamp
	239-010-300	41000	Clamp Only
2		238-240-100	15' Torch Assembly
3		312-142-666	Nose
4		711-170-026	Faceplate
5		412-081-666	Foot
6		412-284-016	Wheel mtg. brackets (2)
7		413-013-666	Axle
8		413-042-000	Wheel & hub
9		880-106-888	Control Transformer
10	244-076-666	244-076-666	Rectifier
11		246-165-666	Main Contactor
12		248-190-666	Power cord
13		316-007-666	Fan Blade
14		411-072-666	Fan Mounting Bracket
15	216-086-666	216-086-666	Fan Motor
16		880-126-666	Wire Harness (10-pin)
17		880-023-666	Wire Harness (9-pin)
18	880-102-666	880-102-666	Circuit Board
19		252-003-666	Air pressure switch
20	246-086-666	246-086-666	Solenoid
21		253-069-666	Nylon adapter

Lincoln

Item	Stock #	Customer #	Description
22	245-105-666	245-105-666	2Ω, 420 Watt Resistor
23		880-020-888	Main Transformer
24		880-021-888	Reactor coil
25	880-027-666	880-027-666	Resistor, 5Ω, 50 watt
26	246-199-666	246-199-666	Relay
27		251-003-666	Pressure gauge
28	254-004-666	254-004-666	Regulator
29		246-214-000	Run/Setup Switch
30		245-078-666	Indicator Light
31		246-213-000	Power Switch
32		410-925-010	Base

Not Shown

33		412-285-116	Handle
34		440-151-156	Cover
35	512-087-908	44050	O-Rings
36	334-278-908	44220	Swirl Ring
37	334-277-908	44200	Electrodes
38	334-279-908	44210	Nozzles
39	334-280-908	44230	Nozzle Cap
40		4416 131-280-908	Standoff
41	239-029-300	40210	50-R 230V Receptacle

CONSUMABLES HAVE BEEN  
MANUFACTURE TESTED TO  
WORK WITH THE PRODUCT

8/4/2006

Model	Primary Input	Input Plug	Duty Cycle at Rated Output
118-008	230V, 36 amp	50A	40%

Rated Output	Voltage Settings	Agency Listing	Max Output
22 amps	1	CSA	22 amps