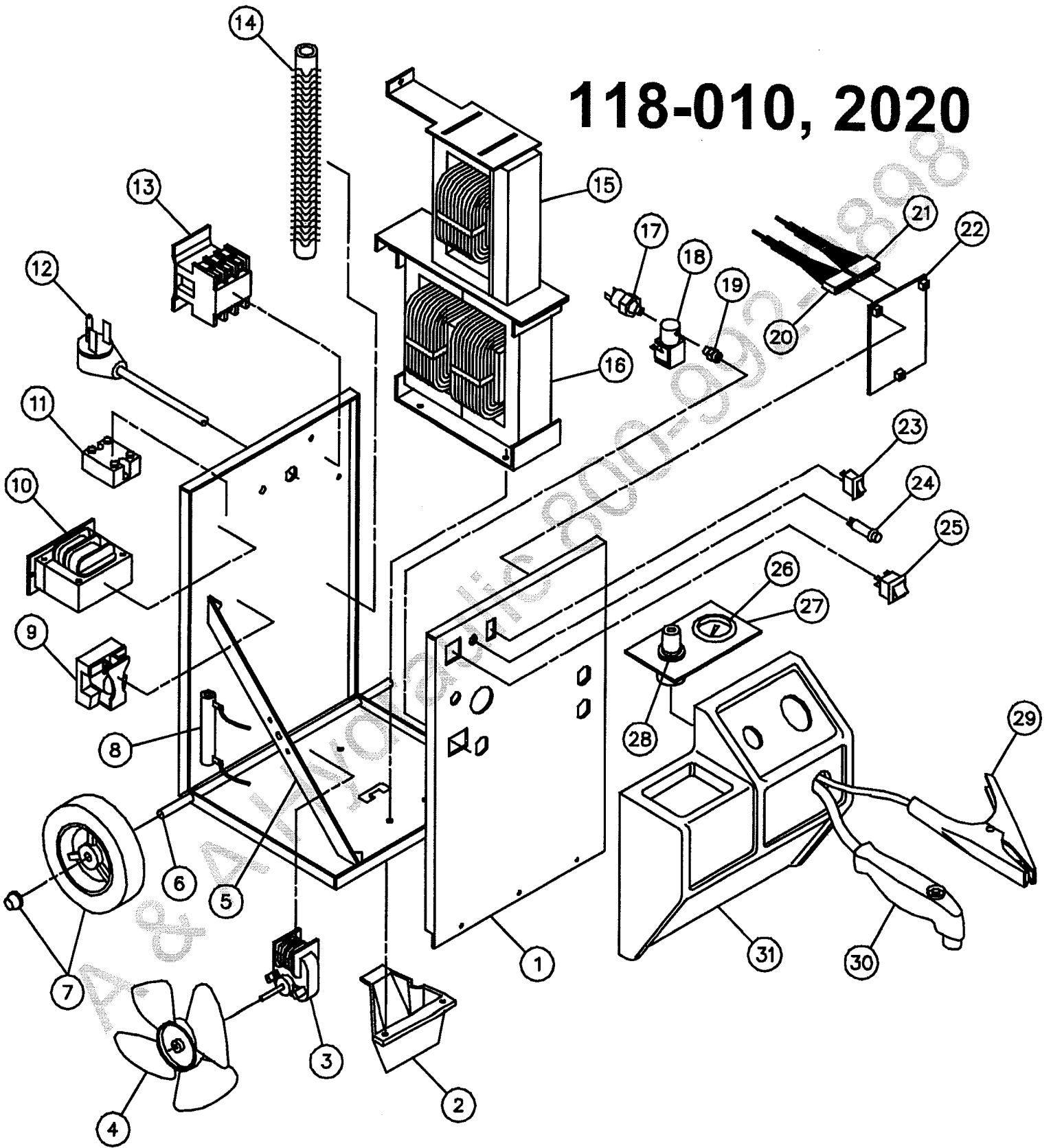


118-010, 2020



118-010, 2020

Lincoln
Stock #

Lincoln
Stock #

Customer #

Customer #

Item

Description

1	410-589-166	Front Panel
2	312-067-666	Foot
3	216-086-666	Fan Motor
4	316-007-666	Fan Blade
5	412-300-666	Fan Mounting Bracket
6	413-045-666	Axle, 3/8" X 15.5/8"
7	413-046-666	Wheel, 6" X 1.25 (1.5 hub)
8	880-027-666	Resistor, 5Ω, 50 watt
9	246-199-666	Relay
10	880-106-888	Control Transformer
11	244-076-666	Rectifier
12	248-216-666	Powercord 12/3, 7'
13	246-165-666	Main Contactor
14	245-105-666	2Ω, 420 Watt Resistor
15	880-129-888	Reactor coil
16	880-128-888	Main Transformer
17	252-003-666	Air pressure switch
18	246-086-666	Solenoid
19	253-069-666	Nylon Adapter
20	880-031-666	Wire Harness (9-pin)
21	880-126-666	Wire Harness (10-pin)
22	880-102-666	Circuit Board

23	246-178-666	Run/Setup Switch
24	245-078-666	Indicator Light
25	246-188-666 / 246-213-000	Power Switch
26	251-003-666	Pressure Gauge
27	412-299-666	Nose Support Plate
28	254-004-666	Regulator
29	238-244-666	Ground Cable w/Clamp
30	238-240-100	15' Torch Assembly
31	312-099-666	Molded Nose

Not Shown

CONSUMABLES HAVE BEEN
MANUFACTURE TESTED TO
WORK WITH THE PRODUCT

32	410-926-010	Base
33	440-151-146	Cover
34	442-020-116	Handle
35	512-087-908	O-Rings
36	334-278-908	Swirl Ring
37	334-277-908	Electrodes
38	334-279-908	Nozzles
39	334-280-908	Nozzle Cap
40	4416 131-280-908	Standoff
41	239-029-300	50-R 230V Receptacle

3/7/2006

Model	Primary Input	Input Plug	Duty Cycle at Rated Output
118-010	230V, 35 amp	50A	30%

Rated Output	Voltage Settings	Agency Listing	Max Output
20 amps	1	CSA	20 amps