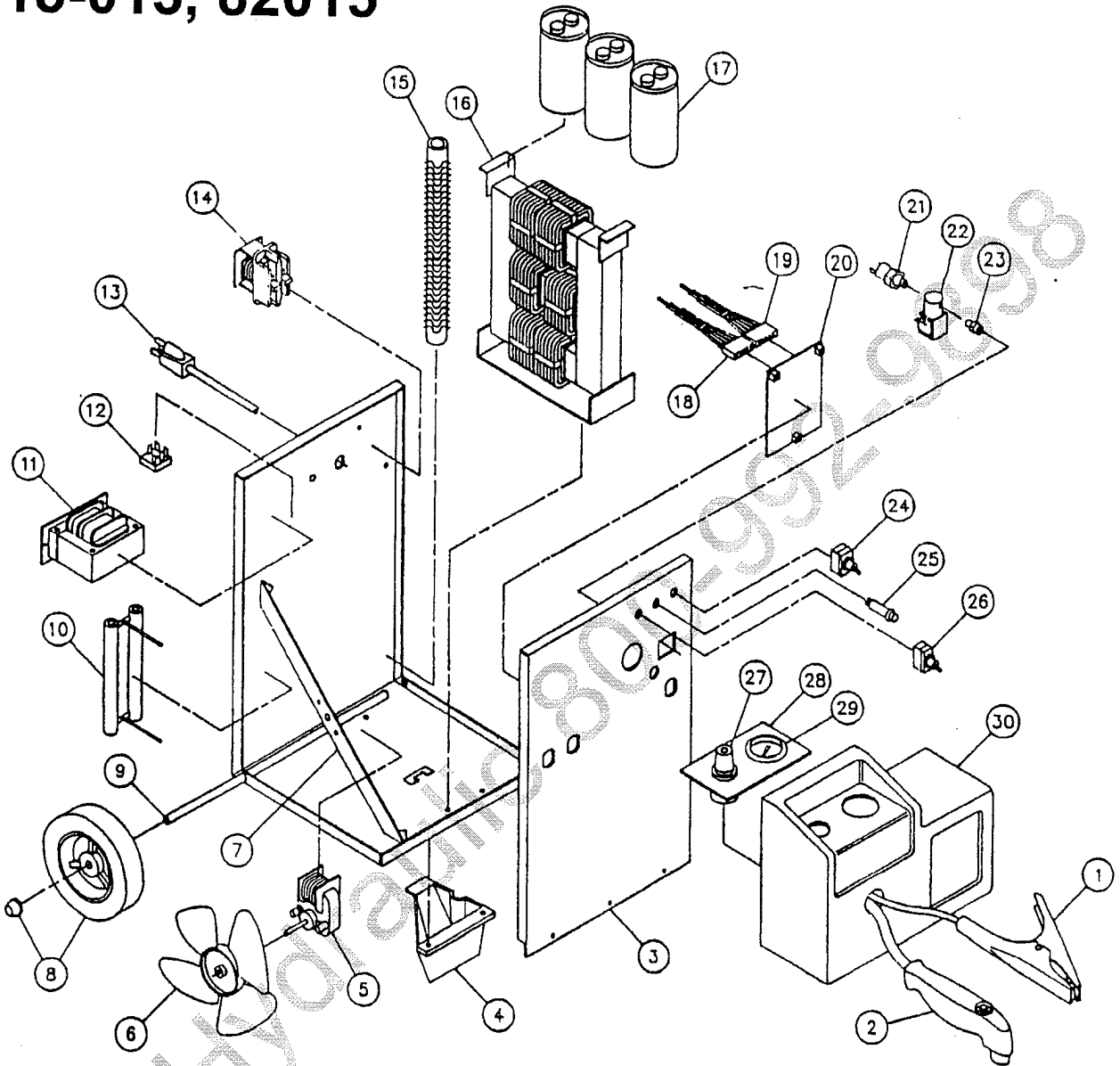


118-013, 82015

REPLACEMENT PARTS LIST 15 AMP PLASMA ARC CUTTER MODEL 118-013



CONSUMABLES HAVE BEEN
MANUFACTURE TESTED TO
WORK WITH THE PRODUCT

| ITEM | DESCRIPTION | PART NUMBER | ITEM | DESCRIPTION | PART NUMBER |
|------|-------------------------|-------------|------|-----------------------|-------------|
| 1 | GROUND CABLE WITH CLAMP | 238-244-666 | 19 | 10-PIN WIRE HARNESS | 880-110-666 |
| 2 | CLAMP ONLY | 239-010-102 | 20 | PRINTED CIRCUIT BOARD | 880-102-666 |
| 3 | FRONT PANEL | 410-589-086 | 21 | PRESSURE SWITCH | 252-003-666 |
| 4 | FOOT | 312-067-666 | 22 | GAS SOLENOID | 246-086-666 |
| 5 | FAN MOTOR | 216-087-666 | 23 | NYLON ADAPTOR | 253-068-666 |
| 6 | FAN BLADE | 316-009-666 | 24 | POWER SWITCH | 246-163-666 |
| 7 | FAN MOUNTING BRACKET | 412-300-666 | 25 | INDICATOR LIGHT | 245-108-666 |
| 8 | WHEEL AND HUB | 413-046-666 | 26 | RUN/SETUP SWITCH | 246-164-666 |
| 9 | AXLE | 413-045-666 | 27 | PLASMA REGULATOR | 254-003-666 |
| 10 | RESISTOR ASSEMBLY | 880-104-666 | 28 | NOSE SUPPORT PLATE | 412-298-666 |
| 11 | CONTROL TRANSFORMER | 880-106-888 | 29 | PRESSURE GAUGE | 251-003-666 |
| 12 | RECTIFIER KIT | 244-078-666 | 30 | NOSE | 312-098-666 |
| 13 | POWER CORD | 248-211-666 | 31 | HANDLE (NOT SHOWN) | 442-020-116 |
| 14 | CONTACTOR | 246-124-666 | 32 | COVER (NOT SHOWN) | 442-020-116 |
| 15 | RESISTOR, 2 Ω, 420 W | 245-105-666 | | | |
| 16 | TRANSFORMER | 880-109-888 | | | |
| 17 | CAPACITOR | 213-034-666 | | | |
| 18 | 9-PIN WIRE HARNESS | 880-031-666 | | | |

Torch Consumables:
334-277-908(4420)Electrode
334-278-908(4422)Swirl Ring
334-279-908(4421)Nozzle

334-280-908(4423)Nozzle Cap
512-087-908(4405)O-ring
Additional Parts:

SERVICING SHOULD BE PERFORMED BY QUALIFIED SERVICE