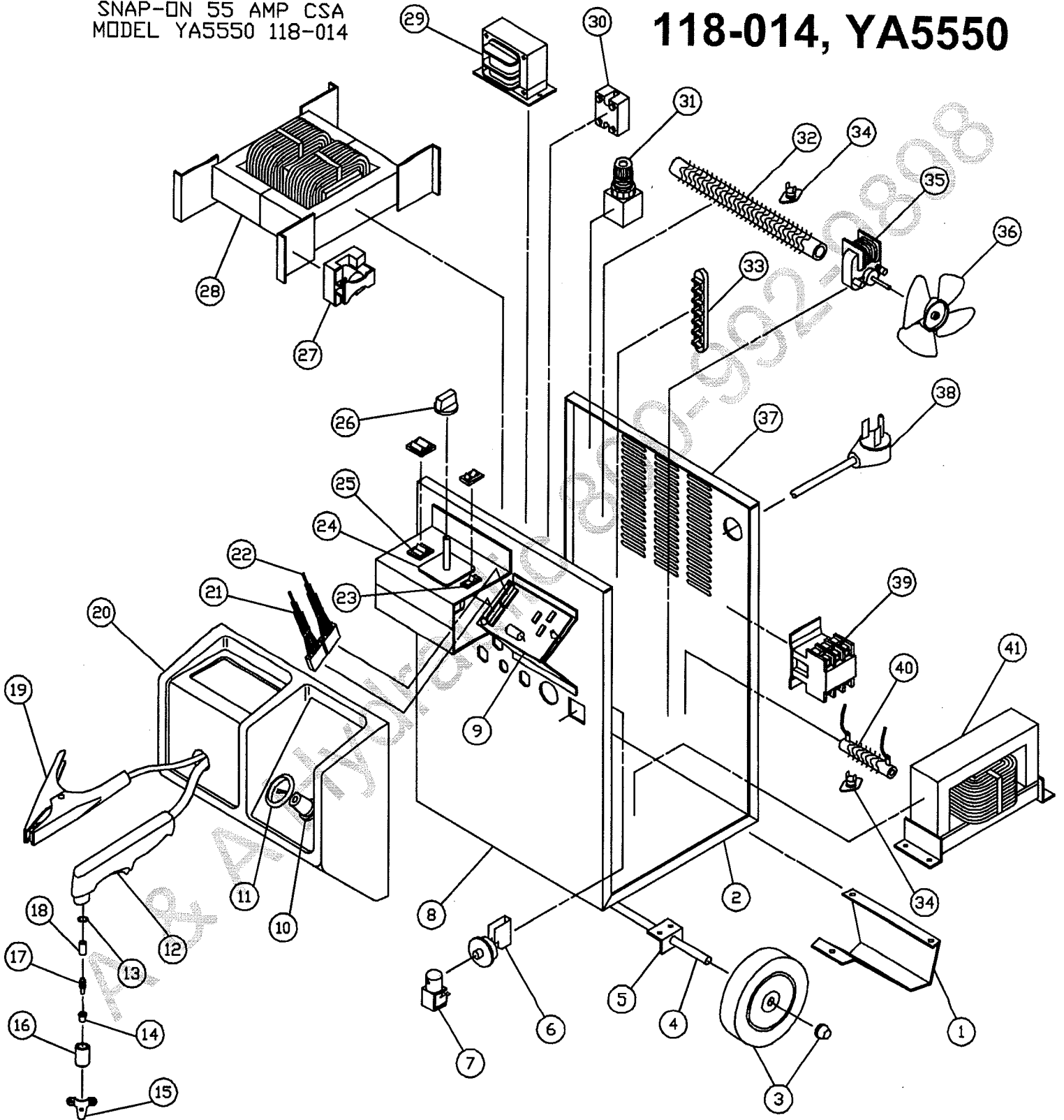


SNAP-ON 55 AMP CSA
MODEL YA5550 118-014

118-014, YA5550



Additional parts for torch, see:
 torch print 238-456-000
 torch print 238-285-100(Old style)

118-014, YA5550

Lincoln

Lincoln

Item	Lincoln Stock #	Customer #	Description
1		412-328-016	Foot
2		410-617-016	Base
3		413-030-666	Wheel with Hub
4		413-048-666	Axle
5		412-329-016	Wheel Mtg. Brackets
6		252-004-666	Pressure Switch
7		246-206-666	Solenoid
8		410-618-026	Front Panel
9	880-102-666		Circuit Board
10	254-004-666		Regulator
11	251-003-666		Pressure Gauge
12	238-456-000	238-285-100	Torch Assembly
13	512-087-908	44050	O-Rings
14	334-289-908	44510	High Current Nozzles
15		44540	
16	334-290-908	44530	Nozzle Cap
17	334-287-908	44500	Electrodes
18	334-288-908	44520	Swirl Ring
19		238-228-666	Ground Cable Assy.
20		312-117-666	Nose
21	880-180-666		10 Pin Wire Harness
22	880-132-666		9 Pin Wire Harness

Item	Lincoln Stock #	Customer #	Description
23		246-219-000	Run/Setup Switch
24		246-220-000	Amperage selector switch
25		246-218-666	Power switch
26		246-224-666	Knob
27	246-199-666		Pilot Arc Relay
28		880-136-008	Transformer
29		880-106-888	Control Transformer 230Vac to 20 & 24Vac
30	244-080-666		Rectifier
31	254-005-666		Pre-Regulator (set at 105PSI)
32	245-105-666	245-105-666	2Ω, 420 Watt Resistor
33		239-129-666	Terminal block
34		216-053-666	Thermostat
35	216-086-666	216-086-666	Fan Motor, 230Vac
36		316-007-300	Fan Blade
37		410-629-016	Back Panel
38		248-214-666	Power cord
39		246-165-666	Contact
40	880-134-666		1.5Ω, 160 Watt Resistor
41		880-137-888	Reactor
42		412-330-016	Handle
43		410-630-076	Cover w/ access panel
44		410-530-016	Access panel

This unit came with a one year warranty

Model	Primary Input	Input Plug	Duty Cycle at Rated Output
118-014	230V, 66 amp	50A	50%

Rated Output	Voltage Settings	Agency Listing	Max Output
55 amps	5	CSA	55 amps

CONSUMABLES HAVE BEEN
 MANUFACTURE TESTED TO
 WORK WITH THE PRODUCT