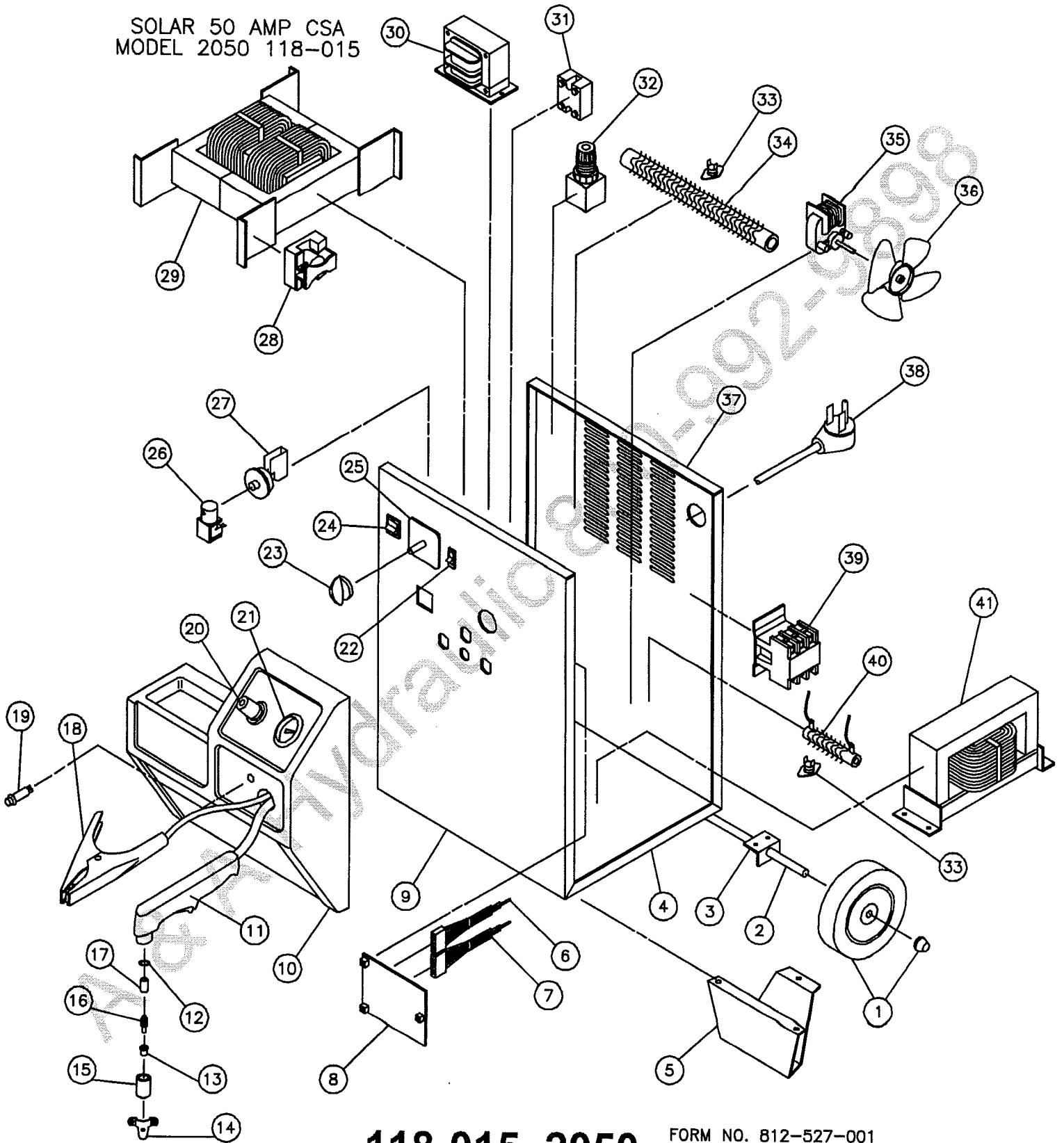


SOLAR 50 AMP CSA
MODEL 2050 118-015



118-015, 2050

FORM NO. 812-527-001

Additional parts for torch, see:
 torch print 238-456-000
 torch print 238-285-100(Old style)

118-015, 2050

Item	Lincoln Stock #	Customer #	Description
1		413-030-666	Wheel with Hub
2		413-048-666	Axle
3		412-329-016	Wheel Mtg. Brackets
4		410-617-016	Base
5		412-328-016	Foot
6		880-181-666	10 Pin Wire Harness
7		880-139-666	9 Pin Wire Harness
8	880-102-666	880-102-666	Circuit Board
9		410-620-030	Front panel
10		312-116-666	Nose
11	238-456-000	238-285-100	Torch Assembly
12	512-087-908	44050	O-Rings
13	334-289-908	44510	High Current Nozzles
14		4416	Standoff
15	334-290-908	44530	Nozzle Cap
16	334-287-908	44500	Electrodes
17	334-288-908	44520	Swirl Ring
18		238-228-666	Ground Cable Assy.
19		296-135-666	Thermal overload light
20	254-004-666	254-004-666	Regulator
21		251-003-666	Pressure Gauge
22		246-176-666	Run/Setup Switch

Item	Lincoln Stock #	Customer #	Description
23		246-224-666	Knob
24		246-223-666	Power Switch
25		246-222-666	Amperage selector switch
26		246-206-666	Solenoid
27		252-004-666	Pressure Switch
28	246-199-666	246-199-666	Pilot Arc Relay
29		880-141-888	Transformer
30		880-106-888	Control Transformer 230Vac to 20 & 24Vac
31	244-080-666	244-080-666	Rectifier
32	254-005-666	254-005-666	Pre-Regulator (set at 105PSI)
33		216-053-666	Thermostat
34	245-105-666	245-105-666	2Ω, 420 Watt Resistor
35	216-086-666	216-086-666	Fan Motor, 230Vac
36		316-007-666	Fan Blade
37		410-629-016	Back Panel
38	248-289-000	248-178-666	Power Cord, 8/3, 8.5' w #10 Spade(2) & #10 Ring Term.
39		246-165-666	Contactors
40	880-134-666	880-134-666	1.5Ω, 160 Watt Resistor
41		880-137-888	Reactor
42		412-332-110	Handle (Not Shown)
43		410-630-080	Cover w/access Panel (Not Shown)
44		410-530-020	Access Panel (Not Shown)

This unit came with a one year warranty

Model	Primary Input	Input Plug	Duty Cycle at Rated Output
118-015	230V, 66 amp	50A	42%

Rated Output	Voltage Settings	Agency Listing	Max Output
50 amps	3	CSA	50 amps

CONSUMABLES HAVE BEEN
 MANUFACTURE TESTED TO
 WORK WITH THE PRODUCT