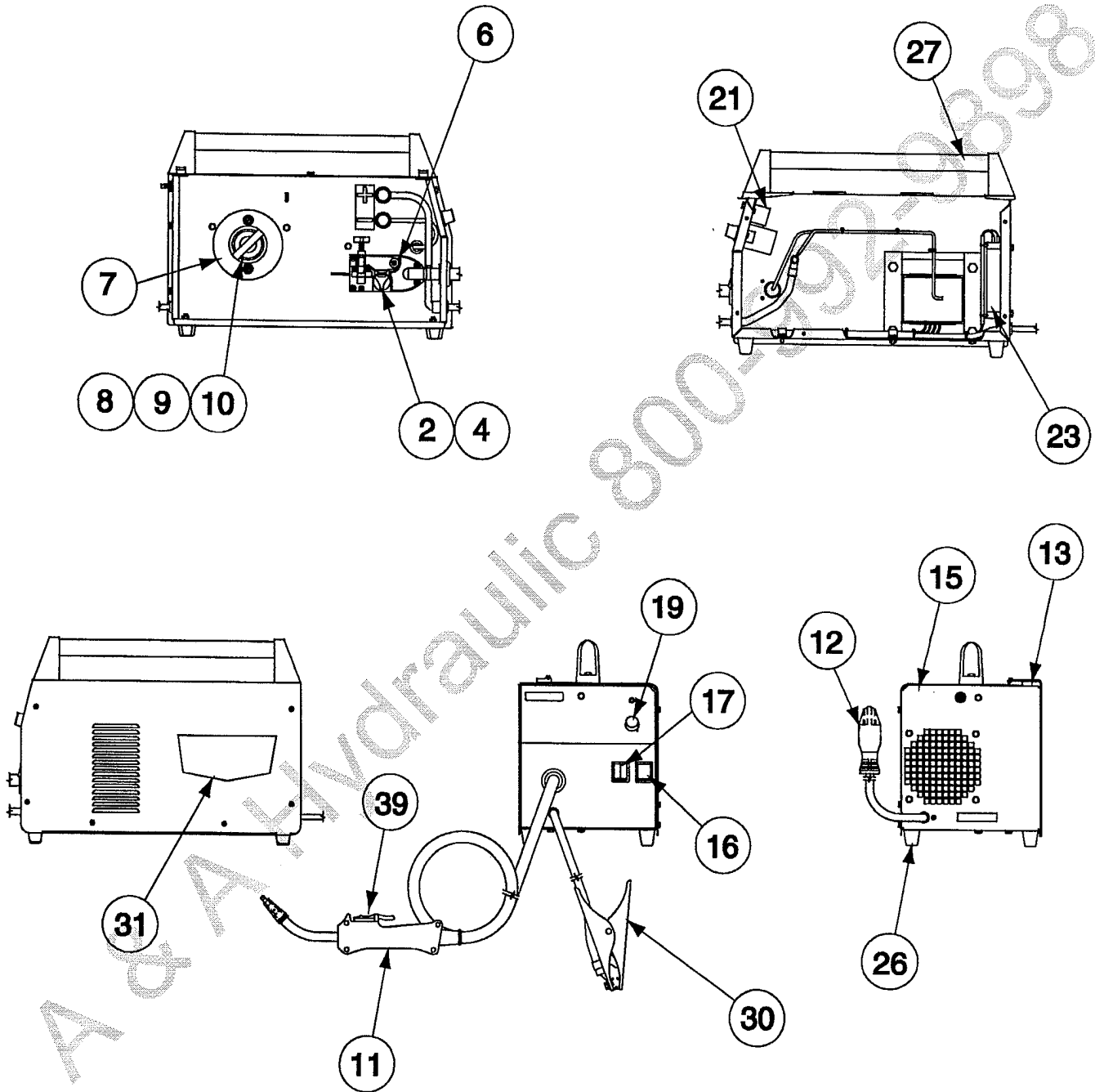


General Assembly



K2501-1, K2501-2 Century 80GL Code # 11306 (5)



Indicates a change this printing.

Use only the parts marked "x" in the column under the heading number called for in the model index page.

ITEM	DESCRIPTION	PART NO.	QTY.	1	2	3	4	5	6	7	8	9
1	Diffuser (Not Shown)	S25351-1	1	X								
2	Drive Roll	KP2243-035	1	X								
4	Drive Roll Retainer	S25532-4	1	X								
6	Wire Drive Assembly	S25532-6	1	X								
7	Wire Reel Spindle	S25351-7	1	X								
8	Wire Reel Spring	S25351-8	1	X								
9	Wire Reel Collar	S25351-9	1	X								
10	Wire Reel Locking Nut	S25351-10	1	X								
11	Gun & Cable Assembly	S25532-11	1	X								
12	Input Cord	S25351-12	1	X								
13	Wire Drive Door & Hinge Assembly	S26404-13	1	X								
15	Wraparound	S26404-15	1	X								
16	On/Off Switch	S25351-16	1	X								
17	Heat Range Switch	S26404-17	1	X								
19	WFS Knob	S25351-19	1	X								
21	P.C. Board	S26404-21	1	X								
23	Fan	S25351-23	1	X								
26	Foot	S25351-26	4	X								
27	Handle	S26404-27	1	X								
30	Work Clamp	S25351-33	1	X								
31	Logo Decal	S26405	2	X								
39	Trigger Assembly	S25351-51	1	X								
Items Not Shown:												
	Wiring Diagram	M20936	1	X								
	Flux Core Nozzle	M16418	1	X								
	.035" (0.9 mm) Contact Tip	S19726-3R	1	X								
	Nameplate	S26404-39	1	X								
	Warning Decal	M16196	1	X								
	Liner	S25351-50	1	X								
	Procedure Decal	L12835	1	X								

