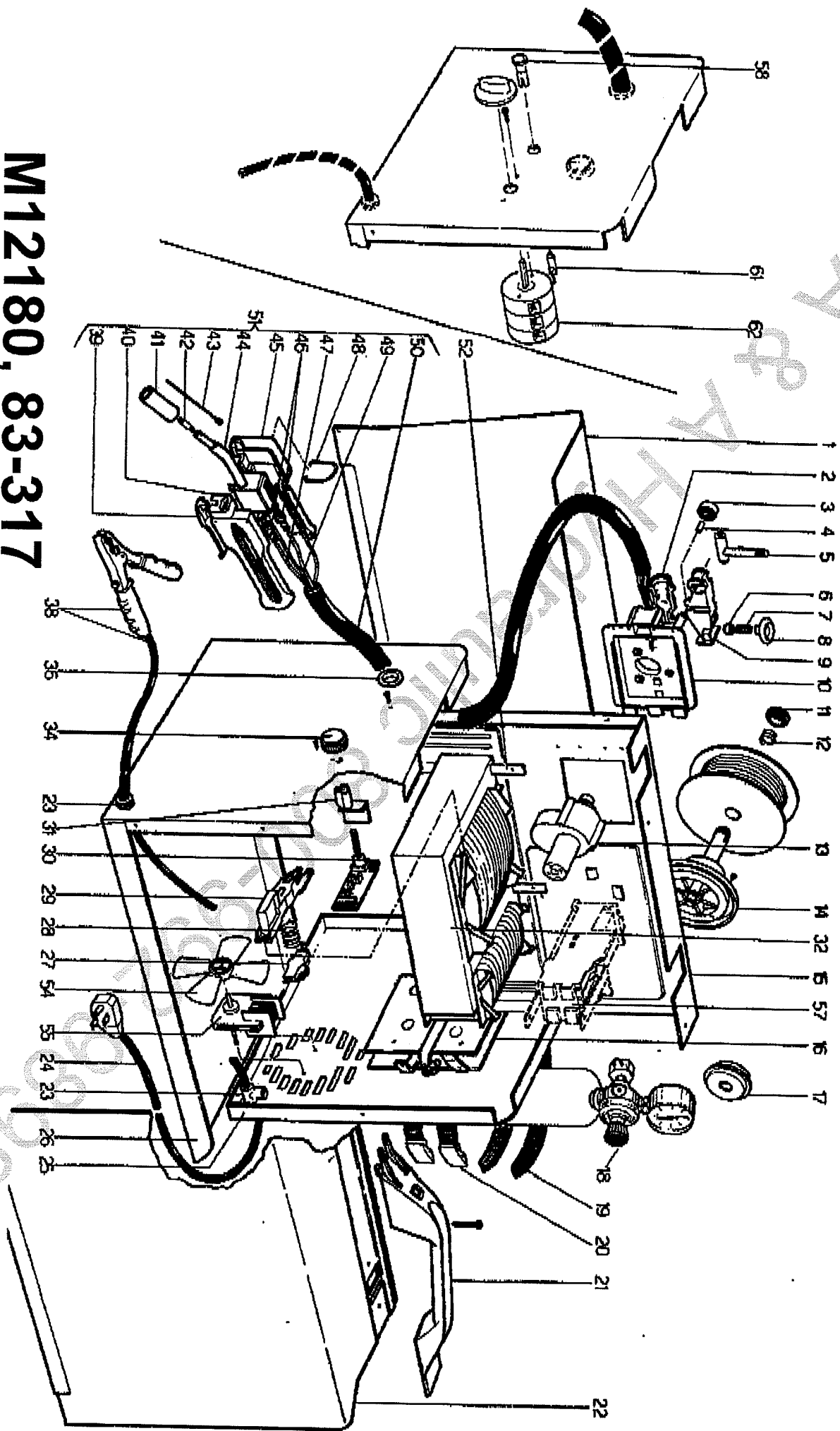


M12180, 83-317



M12180, 83-317

Lincoln

Lincoln

Item	Stock #	Customer #	Description
1		B7032370	Left side panel
2	See 10A	B7001370	Cable holder
3	See 10A	B7002370	Bearing
4	See 10A	B7003370	Roller pin
5	See 10A	B7004370	Roller presser pin
6	See 10A	B7005370	Spring rest ring
7	See 10A	B7006370	Spring
8	See 10A	B7007370	Knob
9	See 10A	B7008370	Roller holder arm
10	See 10A	B7009370	Drive motor support
10A	334-635-000	246229	Drive base assembly (includes 2-10)
11		B7010370	Ring
12		B7011370	Spring
13	216-115-000	B7012370	Wire feed motor
14		B7013370	Coil support
15		B7014370	Center support
16		B7015370	Rectifier
17		B7016370	Reel outer support
18	334-460-001	B7017370	Gas Regulator
19		B7018370	Belt
20		B7019370	Buckle
21		B7020370	Handle
22		B7034370	Fixed housing
23		B7022370	Cable holder
24	S26399-19	B7023370	Powercord
25		B7024370	Back panel
26		B7039370	Frontbase
27		B7026370	Thermostat
28		B7027370	Spring

Model	Primary Input	Input Plug	Duty Cycle at Rated Output
M12180	120V, 20 amp	15A	10%

Item	Stock #	Customer #	Description
29	S26399-20	B7028370	Thermostat support
30	880-591-000	B7029370	Circuit board
31		B7030370	Circuit board bracket
32		B7031370	Transformer
34	S26399-22	B7033370	Knob
36		B7035370	Bushing
38	S26400-6	B7036370	Ground cable
39	S26399-23	B7037370	Torch lever/trigger
40	S26399-24	B7038370	Handgrip, Left
41	334-500-400	M15598 (83-636)	Nozzle
42	KP2039-1B1	M15522 (83-393)	0.025 contact tip
	KP2039-2B1	M15523 (83-394)	0.030 contact tip
	KP2039-3B1	M15524 (83-395)	0.035 contact tip
43	S26400-7	B7041370	Conductor tube liner
44	246-534-000	B7074370	Gas valve with gooseneck
45	S26399-25	B7043370	Handgrip, Right
46		B7043370	Quick coupling
47	S26399-32	B7075370	Liner
48	S26399-27	B7046370	Torch hook
49	S26399-28	B7047370	Gas hose
50	N/A	B7048370	Torch hose
51	334-633-000	M15591, 83-634	Complete Torch
52		B7030370	Latch
54		B7051370	Fan blade
55		B7052370	Fan motor
57	246-519-666	B7053370	Contact
58		B7054370	Lamp holder
61		B7056370	Pilot Lamp
62		B7057370	Switch

1 Year warranty on unit			
Rated Output	Voltage Settings	Agency Listing	Max Output
80 amps	4		130 amps

12/16/2005